

CURRENT TRANSFORMERS

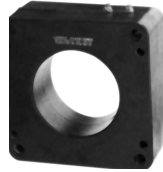
RELAY/METER CLASS CURRENT TRANSFORMERS

MODEL 130

CURRENT TRANSFORMERS

FEATURES

- UL Recognized
- Window I.D. - 5.75"
- Relaying and Metering Applications



600V CLASS

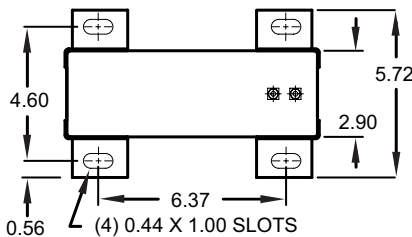
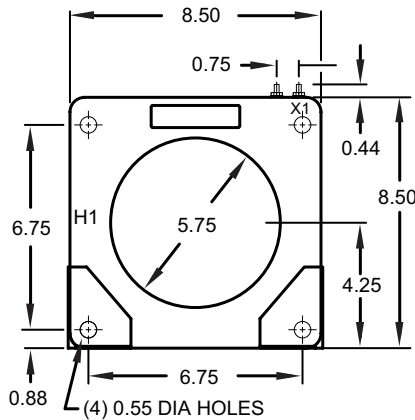
SPECIFICATIONS

Frequency 50-400Hz
 Insulation Class 0.6KV, BIL 10KV Full Wave
 Terminals Brass Studs No. 8-32 UNC
 with one flat washer, lockwasher and regular nut.
 Weight Approximately 18 lbs.
 Mounting Bracket P/N 0221B00186

APPLICATION AND ORDERING DATA

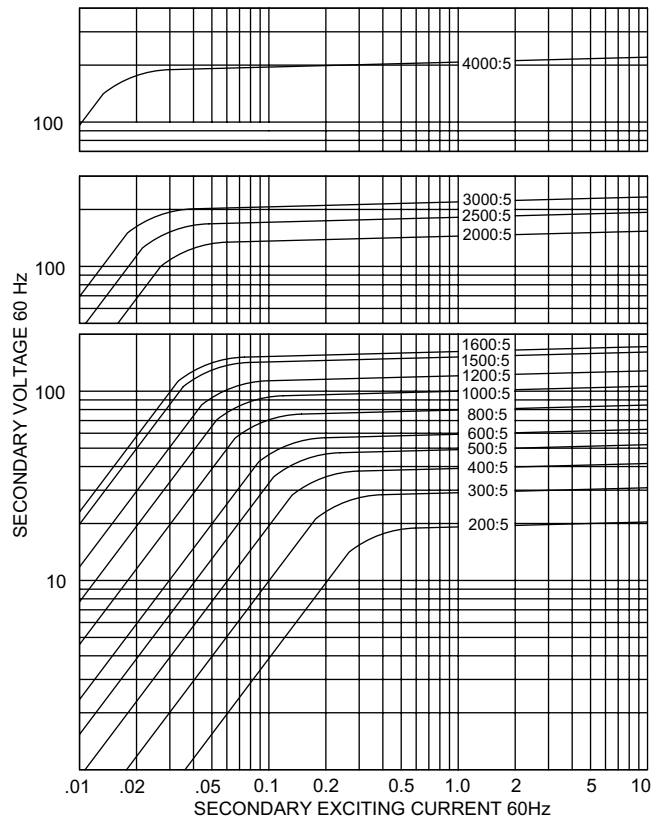
CATALOG NUMBER	CURRENT RATIO	RELAY CLASS	ANSI METERING CLASS AT 60 HZ					SECONDARY WINDING RESISTANCE (OHMS @ 75°C)	CONTINUOUS THERMAL RATING FACTOR	
			B0.1	B0.2	B0.5	B0.9	B1.8		@ 30°C	@ 55°C
130-201	200:5	C 10	0.6	0.6	2.4	2.4	4.8	0.064	2.0	2.0
130-301	300:5	C 20	0.3	0.3	1.2	1.2	2.4	0.105	2.0	2.0
130-401	400:5	C 20	0.3	0.3	0.6	1.2	1.2	0.140	2.0	2.0
130-501	500:5	C 20	0.3	0.3	0.3	0.6	1.2	0.175	2.0	2.0
130-601	600:5	C 20	0.3	0.3	0.3	0.6	1.2	0.210	2.0	1.5
130-801	800:5	C 50	0.3	0.3	0.3	0.3	0.6	0.324	2.0	1.5
130-102	1000:5	C 50	0.3	0.3	0.3	0.3	0.3	0.404	1.5	1.33
130-122	1200:5	C 50	0.3	0.3	0.3	0.3	0.3	0.485	1.5	1.0
130-152	1500:5	C 100	0.3	0.3	0.3	0.3	0.3	0.607	1.5	1.0
130-162	1600:5	C 100	0.3	0.3	0.3	0.3	0.3	0.647	1.33	1.0
130-202	2000:5	C 100	0.3	0.3	0.3	0.3	0.3	0.783	1.33	1.0
130-252	2500:5	C 100	0.3	0.3	0.3	0.3	0.3	0.979	1.0	0.8
130-302	3000:5	C 100	0.3	0.3	0.3	0.3	0.3	1.175	1.0	0.8
130-402	4000:5	C 100	0.3	0.3	0.3	0.3	0.3	1.484	1.0	0.6

MODEL 130 DIMENSIONS



All Dimensions In Inches

EXCITATION CURVE



FLEX-CORE®

Div. Morlan & Associates, Inc.

6625 McVey Blvd. Columbus, Ohio 43235

WWW.FLEX-CORE.COM

sales@flex-core.com

PHONE (614) 889-6152

TECH. ASSISTANCE (614) 876-8308

FAX # (614) 876-8538