

CURRENT TRANSFORMERS

WOUND PRIMARY CURRENT TRANSFORMER

MODEL 189

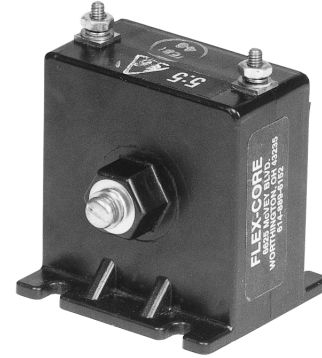
ANSI METERING CLASS: 0.6, B0.2 AT 60HZ

DESCRIPTION

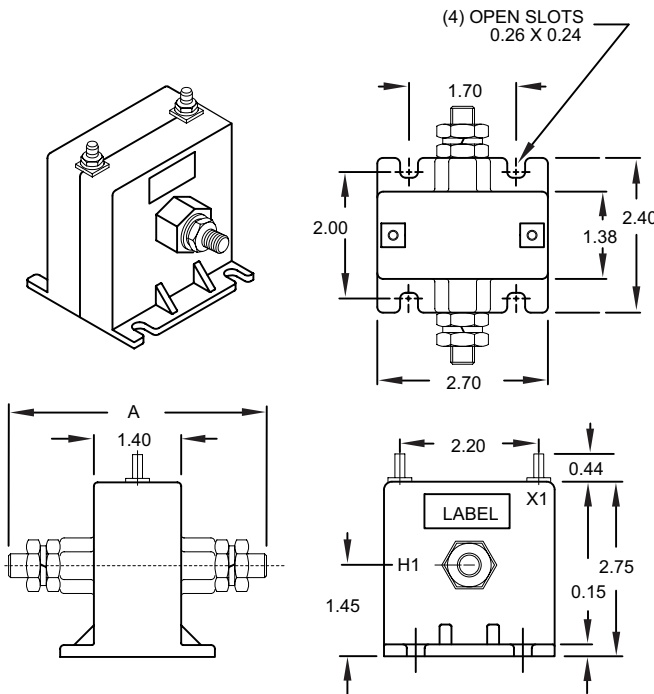
- The Model 189 is a low ratio, wound primary current transformer, suitable for primary currents from 2.5A to 100A with 5A outputs.
- To be used with ammeters, wattmeters, or transducers.
- UL Recognized

SPECIFICATIONS

Frequency 50-400Hz
 Insulation Class 0.6KV, BIL 10KV Full Wave
 Continuous Thermal Rating Factor 1.33@30°C
 1.0@55°C
 Primary Terminals 30:5 and Below Brass No. 10-32
 40:5 and Up Brass 3/8-16
 Secondary Terminals Brass Screws No. 8-32
 Weight Approximately .75 lbs.



DIMENSIONS



"A" Dimension 30:5 and Below = 3.28"
 40:5 and Up = 4.1"

All Dimensions In Inches

CATALOG NUMBER	CURRENT RATIO	ANSI ACCURACY	
		B0.1	B0.2
189-0025	2.5:5	.6	.6
189-005	5:5	.6	.6
189-0075	7.5:5	.6	.6
189-010	10:5	.6	.6
189-015	15:5	.6	.6
189-020	20:5	.6	.6
189-025	25:5	.6	.6
189-030	30:5	.6	.6
189-040	40:5	.6	.6
189-050	50:5	.6	.6
189-060	60:5	.6	.6
189-075	75:5	.6	.6
189-080	80:5	.6	.6
189-101	100:5	.6	.6

FLEX-CORE®
 Div. Morlan & Associates, Inc.
 6625 McVey Blvd. Columbus, Ohio 43235

WWW.FLEX-CORE.COM
 sales@flex-core.com

PHONE (614) 889-6152
 TECH. ASSISTANCE (614) 876-8308
 FAX # (614) 876-8538