

# CURRENT TRANSFORMERS

## METERING CLASS CURRENT TRANSFORMER

MODEL 19 & 19RL

### FEATURES

- Metering Applications
- UL Recognized
- Window I.D. - 4.25"

**600V CLASS**

### SPECIFICATIONS

Frequency ..... 50-400Hz  
 Insulation class ..... 0.6KV, BIL 10KV Full Wave  
 Terminals .. Brass studs No. 8-32 UNC with one flat washer, lockwasher and regular nut. (Model 19)  
 Leads ..... #16AWG, 24" long, UL105°C (Model 19RL)  
 Weight ..... Approximately 3 lbs.  
 Optional Mounting Bracket ..... P/N 0221B00183



MODEL 19RL

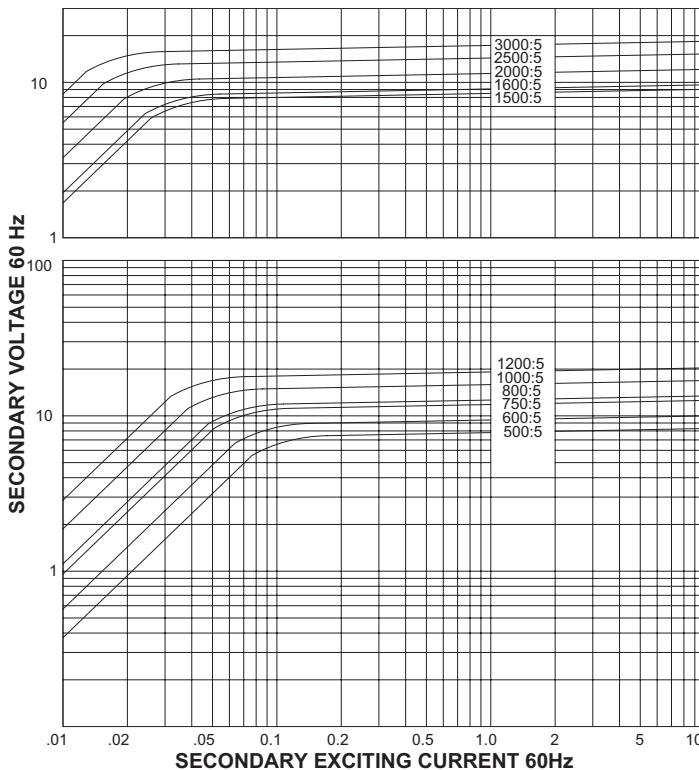


MODEL 19

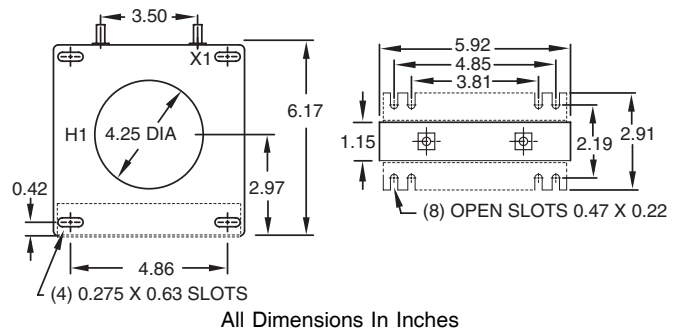


APPLICATION AND ORDERING DATA										
CATALOG NUMBER	CATALOG NUMBER	CURRENT RATIO	V.A. FOR + 1% CLASS	ANSI METERING CLASS AT 60 HZ				SECONDARY WINDING RESISTANCE (OHMS @ 75°C)	CONTINUOUS THERMAL RATING FACTOR	
				B0.1	B0.2	B0.5	B0.9		@30°C	@55°C
19RL-501	19-501	500:5	15.0	0.3	0.3	0.6	1.2	0.087	2.0	1.5
19RL-601	19-601	600:5	15.0	0.3	0.3	0.6	1.2	0.116	2.0	1.5
19RL-801	19-801	800:5	30.0	0.3	0.3	0.3	0.6	0.155	1.5	1.33
19RL-102	19-102	1000:5	30.0	0.3	0.3	0.3	0.6	0.242	1.33	1.0
19RL-122	19-122	1200:5	40.0	0.3	0.3	0.3	0.3	0.291	1.33	1.0
19RL-152	19-152	1500:5	15.0	0.3	0.3	0.6	0.6	0.200	1.5	1.0
19RL-162	19-162	1600:5	15.0	0.3	0.3	0.3	0.6	0.213	1.5	1.0
19RL-202	19-202	2000:5	20.0	0.3	0.3	0.3	0.3	0.266	1.33	1.0
19RL-252	19-252	2500:5	20.0	0.3	0.3	0.3	0.3	0.333	1.0	0.8
19RL-302	19-302	3000:5	25.0	0.3	0.3	0.3	0.3	0.399	1.0	0.8

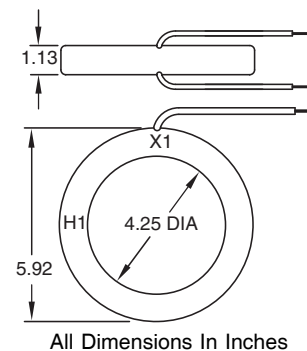
### EXCITATION CURVE



### MODEL 19 DIMENSIONS



### MODEL 19RL DIMENSIONS



**FLEX-CORE®**  
 Div. Morlan & Associates, Inc.  
 6625 McVey Blvd. Columbus, Ohio 43235

WWW.FLEX-CORE.COM  
 sales@flex-core.com

PHONE (614) 889-6152  
 TECH. ASSISTANCE (614) 876-8308  
 FAX # (614) 876-8538