

CURRENT TRANSDUCERS

AC CURRENT TRANSDUCER/TRANSFORMER

MODEL 200A

DESCRIPTION

- The 200-A Series High AC Current Transducers with Current Output can be used to directly monitor up to 2000A without requiring an additional current transformer. The output from these transducers is a 4-20mA signal.



FEATURES

- Eliminates the need for a current transformer
- Large aperture to accommodate large conductors or wire bundles
- Loop-powered 4-20mA output
- Multirange input eliminates zero and span adjustments
- Easy installation with integral mounting brackets



SPECIFICATIONS

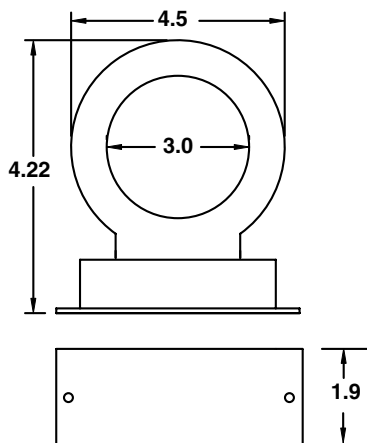
Output 4-20mA, Loop-Powered
 Supply Voltage 24-40Vdc
 Output Load 600 Ohms Max @24Vdc
 $R_{max} = (V \text{ supply} - 12) / 0.020$
 Accuracy 1.0% F.S.
 Frequency 50-60Hz., (V Models 10-400Hz.)
 Response Time 500 milliseconds to 90% of step change
 Case UL 94 flammability rated thermoplastic
 Weight 1.3 Lbs.
 Insulation Class 600Vac
 Overrange Limit Sensor Self-Limits to 25mA Output
 Termination Screw Terminals

Note: The standard models are average responding. Also available are variable frequency integration models for monitoring the load side of a VFC. Add -V at the end of the model number.

MODEL	ORDERING INFORMATION
200-3-A	Solid-Core High Current Transducer 0-750A, 4-20mA Output
200-4-A	Solid-Core High Current Transducer 0-2000A, 4-20mA Output

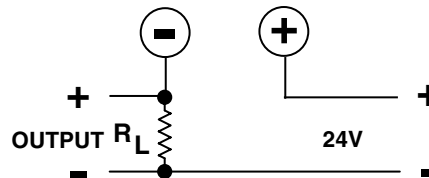
MODEL	RANGE	SWITCH POSITION	MAX CONT	MAX FOR 6 SEC	MAX FOR 1 SEC
			(Amps)		
200-3-A	0-375	375	750	1500	3750
	0-500	500			
	0-750	750			
200-4-A	0-1000	1000	2000	4000	10,000
	0-1333	1333			
	0-2000	2000			

DIMENSIONS



All Dimensions In Inches

CONNECTIONS



FLEX-CORE®
 Div. Morlan & Associates, Inc.
 6625 McVey Blvd. Columbus, Ohio 43235

WWW.FLEX-CORE.COM
 sales@flex-core.com

PHONE (614) 889-6152
 TECH. ASSISTANCE (614) 876-8308
 FAX # (614) 876-8538

CURRENT TRANSDUCERS