

POTENTIAL TRANSFORMERS

THREE PHASE THREE WIRE POTENTIAL TRANSFORMER Model 2VT469

POTENTIAL TRANSFORMERS

600V CLASS

FEATURES

- Frequency 60Hz
- Standard Secondary Voltage 120Vac
- Insulation Class 600 Volts, 10kV BIL
- UL Recognized
- FOR INDOOR USE ONLY



SPECIFICATIONS

Accuracy Class
 ± 1% at all burdens up to 5VA at 1.0 and .95 P.F.

Thermal Rating 40VA at 30°C amb., 27VA at 55°C.

Terminals are 6-32 screws with one lockwasher and one flatwasher.

The core and coil assembly is encased in a thermoplastic shell and filled with resin.

CATALOG NUMBER	VOLTAGE RATING	TURNS RATIO	REC. PRIMARY FUSE RATING
2VT469-069	69:3:120	0.58:1	1.5
2VT469-120	120:120	1:1	1.0
2VT469-208	208:120	1.73:1	0.5
2VT469-240	240:120	2:1	0.5
2VT469-277	277:120	2.31:1	0.5
2VT469-288	288:120	2.4:1	0.4
2VT469-300	300:120	2.5:1	0.4
2VT469-480	*480:120	4:1	0.25
2VT469-600	*600:120	5:1	0.25

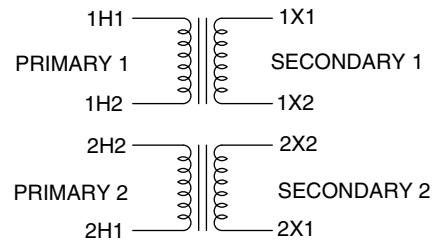
These transformers are designed for operation line-to-line. They may also be operated line-to-ground or line-to-neutral at reduced voltage. (58% of rated volts)

It is desirable to use a 0.40 Amp fuse in the secondary to protect the transformer.

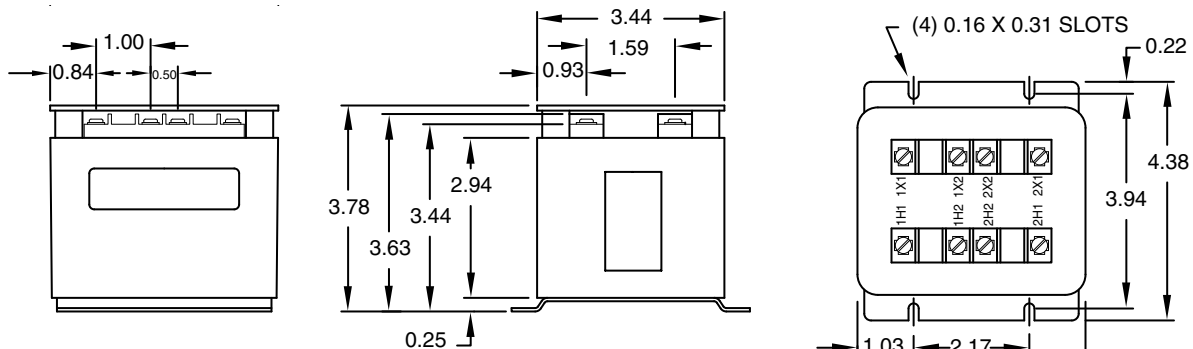
With two exceptions, these transformers are ANSI C57.13 Group 1. Those marked * are Group 2.

Weight Approximately 4.5 Lbs.

CONNECTION DIAGRAM



CASE DIMENSIONS



All Dimensions in Inches

FLEX-CORE®
 Div. Morlan & Associates, Inc.
 6625 McVey Blvd. Columbus, Ohio 43235

WWW.FLEX-CORE.COM
 sales@flex-core.com

PHONE (614) 889-6152
 TECH. ASSISTANCE (614) 876-8308
 FAX # (614) 876-8538