

CURRENT TRANSFORMERS

REMOVABLE LEG CURRENT TRANSFORMER

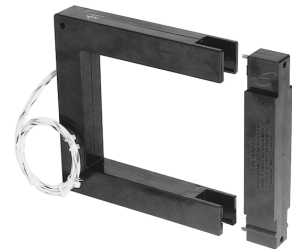
MODEL 331

MULTI-RATIO

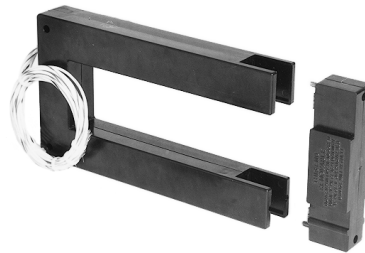
FEATURES

- Excellent measurement accuracy
- Multiple Ratio taps for wide range of primary currents
- Removable leg for easy installation
- Voltage clamping circuit across output terminals

600V CLASS



Model 331-100



Model 331-200

SPECIFICATIONS

Physical Characteristics

Material Noryl Polyethylene, G.E. SE-1 (UL Rated 94V-0)

Weight

Model 100 Two Lbs.
Model 200 Two Lbs.

Output Leads

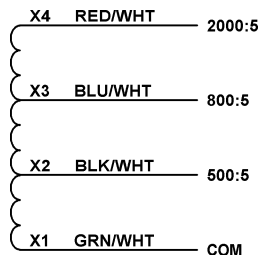
Amount Four
Size 16AWG
Type Stranded & Color-coded
Length 24 inches

Electrical Characteristics

Output (6) 2-Wire combinations with 5A F.S. rating.
Frequency 50/400 HZ
Maximum open circuit output voltage
40 volts peak, clamped to 1 volt within 10 microseconds
Insulation 600V (UL 1244 or equivalent).
Continuous Thermal Rating Factor 133% of Full Load at 55° C

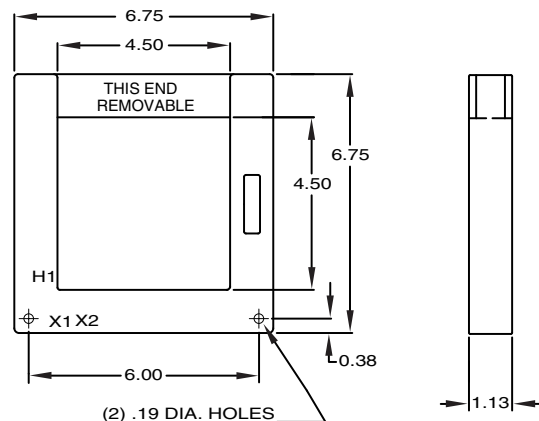
RATIO	ACCURACY	SECONDARY CONNECTIONS
2000:5	± 1%	Red/White & Green/White
1500:5	± 1%	Red/White & Black/White
1200:5	± 1%	Red/White & Blue/White
800:5	± 2%	Blue/White & Green/White
500:5	± 2%	Black/White & Green/White
300:5	± 3%	Blue/White & Black/White

Power Measurement Accuracy (Transformer Correction Factor) is shown at 0.85 Power Factor, 0.2 Ohms Burden and at Rated Current.

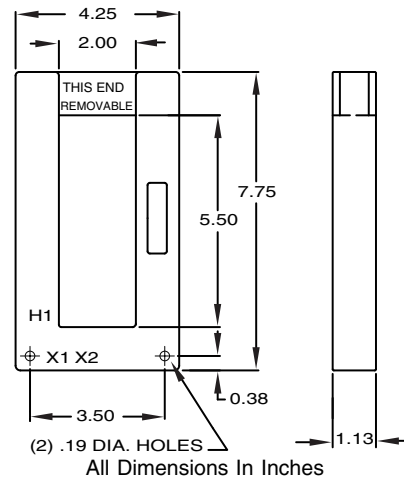


DIMENSIONS

Model 331-100



Model 331-200



All Dimensions In Inches

FLEX-CORE®

Div. Morlan & Associates, Inc.

6625 McVey Blvd. Columbus, Ohio 43235

WWW.FLEX-CORE.COM

sales@flex-core.com

PHONE (614) 889-6152

TECH. ASSISTANCE (614) 876-8308

FAX # (614) 876-8538