

# VOLTAGE TRANSDUCERS

## AC VOLTAGE TRANSDUCER

MODEL 3AVT

### THREE VOLTAGE TRANSDUCERS IN ONE ENCLOSURE

#### FEATURES

- Accurate, reliable voltage measurement.
- Three separate inputs, three outputs.
- 2200Vac input/output isolation.
- UL, CUL, CE Listed.



| INPUT      | OPTIONAL OUTPUTS MODEL NUMBER 3AVT- |        |          |          |         |
|------------|-------------------------------------|--------|----------|----------|---------|
| AC VOLTAGE | 0-1mA*                              | 4-20mA | 4-20mA** | 0-10Vdc* | 0-5Vdc* |
| 0 to 90    | 090A                                | 090E   | 090E2    | 090C     | 090CX5  |
| 0 to 150   | 150A                                | 150E   | 150E2    | 150C     | 150CX5  |
| 0 to 300   | 300A                                | 300E   | 300E2    | 300C     | 300CX5  |
| 0 to 600   | 600A                                | 600E   | 600E2    | 600C     | 600CX5  |

\*Models are self-powered from measured voltage line.  
 \*\* E2 loop-powered models require 15-24Vdc.  
 E (4-20mA) models require 115Vac instrument power.  
 Optional 230Vac instrument power - Add suffix "-22".

#### MODEL 3AVT SPECIFICATIONS

##### INPUT

Frequency Range ..... 50/60 Hz  
 Burden ... 90V & 150V models ..... 1VA  
           300V models ..... 2VA  
           600V models ..... 3VA  
 Overload ..... F.S. Rating  
           600V models ..... 575V  
 Dielectric Test...(Input/Output/Case) ..... 2200Vac  
 Instrument Power  
     Std. 4-20mA units .. 115Vac,50/60Hz, +15%,10VA  
     "-22" Option" ..... 230Vac,50/60Hz, +15%,10VA

##### OUTPUT

**ACCURACY** ..... +0.25% F.S. @60Hz  
 Includes effects of linearity (10-100%) and setpoint.  
 Output Ripple ..... < 1.0% F.S.  
 Response ..... 400 milliseconds  
 Output Loading (Ohms)  
     1mA ..... A ..... 0-10K  
     4-20mA ..... E ..... 0-1K  
     4-20mA ..... E2 ..... (@24Vdc)...0-600  
     5V & 10V ..... C & CX5 ..... > 10M  
 Field Adjustable Cal. .... + 5%  
 Temperature Effect ..... + 1.0% Rdg.  
 Temperature Range ..... -20°C to +60°C

#### APPLICATIONS

- Designed for use in three phase applications which require inexpensive voltage measurement.
- 3AVT150 can be used with higher voltage potential transformers
- Line voltage monitoring.



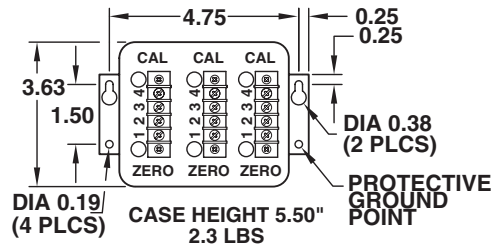
#### ORDERING INFORMATION

Example: Three 0-120Vac Inputs  
 with Three 0-1mA Outputs.  
**3AVT-150A**

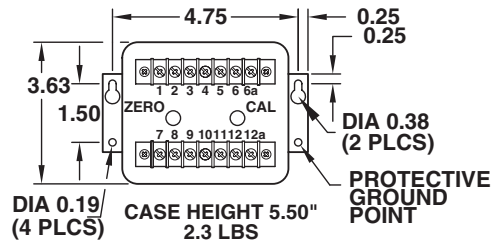
Transducer output is derived from the average absolute value of the input and calibrated as the RMS value of the sine wave input.

#### CASE DIMENSIONS

Model 3AVT with A, C, CX5, or E2 Option

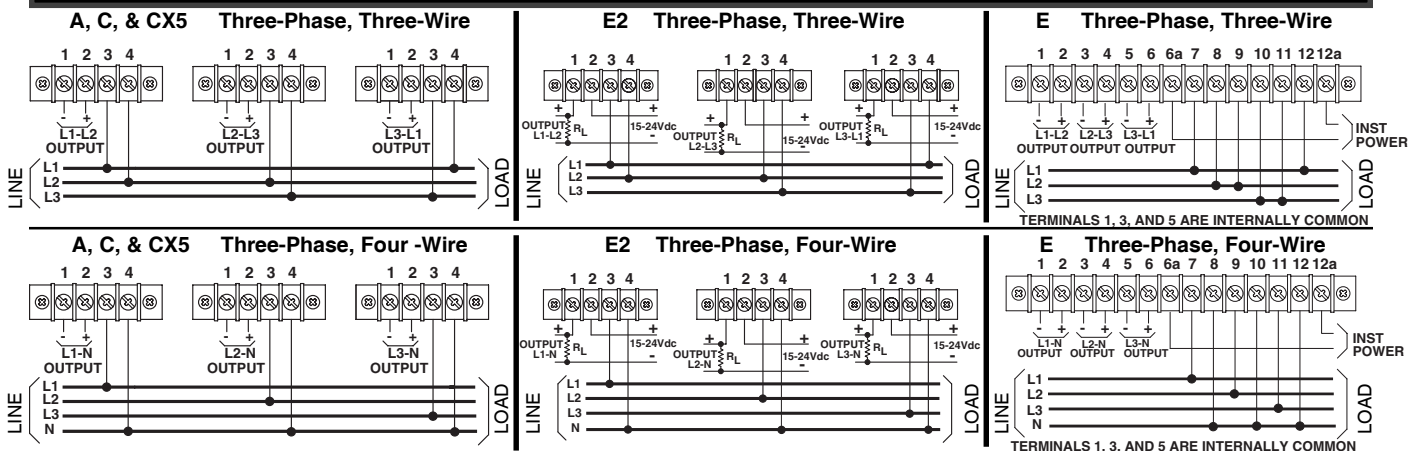


Model 3AVT with E Option



All Dimensions in Inches

#### CONNECTION DIAGRAMS



**FLEX-CORE®**

Div. Morlan & Associates, Inc.

6625 McVey Blvd. Columbus, Ohio 43235

WWW.FLEX-CORE.COM

sales@flex-core.com

PHONE (614) 889-6152

TECH. ASSISTANCE (614) 876-8308

FAX # (614) 876-8538

VOLTAGE TRANSDUCERS