

VOLTAGE TRANSDUCERS

3 IN 1 RMS VOLTAGE TRANSDUCER

MODEL 3VTR

THREE RMS VOLTAGE TRANSDUCERS IN ONE ENCLOSURE

FEATURES

- Accurate measurement of the **true RMS** value of input signals over a wide frequency range
- 2500Vac Input/output isolation.

APPLICATIONS

- For use when measurement of nonsinusoidal waveforms is required.
- Designed for use in three phase systems, but may also be used to monitor three single-phase circuits where panel space is limited.

INPUT AC VOLTS	STANDARD OUTPUTS MODEL 3VTR-			
	0-1mA	4-20mA	0-10Vdc	0-5Vdc
0 to 150	001B	001E	001D	001X5
0 to 300	002B	002E	002D	002X5
0 to 600	004B	004E	004D	004X5

ORDERING INFORMATION

Example: (3) 120VAC inputs
with (3) 0-10Vdc outputs
3VTR-001D



MODEL 3VTR SPECIFICATIONS

INPUT

Voltage See Table
 Frequency Range 48 to 420 Hz.
 Burden (Each Input) 0.4VA @ F.S.
 Overload Full Scale Rating
 Dielectric Test (Input/Output/Case) 2500Vac
 Instrument Power (Std.) 85-265Vac, 48-420Hz, 5VA
 or 110-370Vdc, 5VA

OUTPUT

Output Ripple Less than 1.0% F.S.
 Response (90%) 100 milliseconds

Output Loading (OHMS)

0-1mA 0-10K
 0-5Vdc, 0-10Vdc 2K min.
 4-20mA 0-500

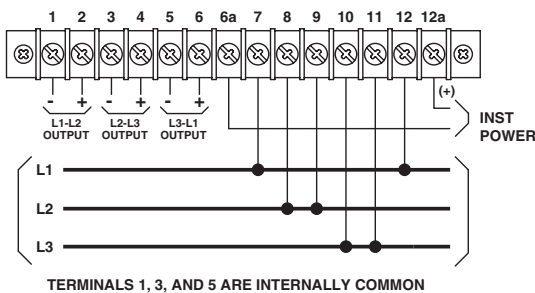
Field Adjustable Cal. + 10%

ACCURACY **+0.25% F.S. (60Hz.)**

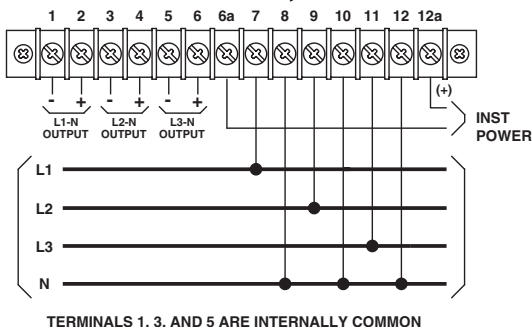
Includes effects of linearity and setpoint.
 +0.5% F.S. Typical Over Frequency Range
 Temperature Effect (-20°C to 60°C) +1.0% Rdg.

CONNECTION DIAGRAMS

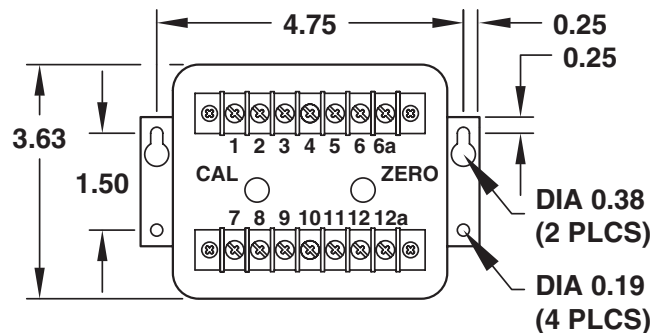
THREE-PHASE, THREE-WIRE



THREE-PHASE, FOUR-WIRE



CASE DIMENSIONS



CASE HEIGHT 6.63"

2.5 LBS

All Dimensions in Inches

All units have universal power supply 85-265Vac,
48-420Hz or 110-370Vdc.

FLEX-CORE®

Div. Morlan & Associates, Inc.

6625 McVey Blvd. Columbus, Ohio 43235

WWW.FLEX-CORE.COM

sales@flex-core.com

PHONE (614) 889-6152

TECH. ASSISTANCE (614) 876-8308

FAX # (614) 876-8538

VOLTAGE TRANSDUCERS