

CURRENT TRANSFORMERS

SOLID CORE CURRENT TRANSFORMERS

MODEL 60RBT

CURRENT TRANSFORMERS

FEATURES

- UL Recognized
- Window I.D. - 0.94"
- Metering Applications



600V CLASS



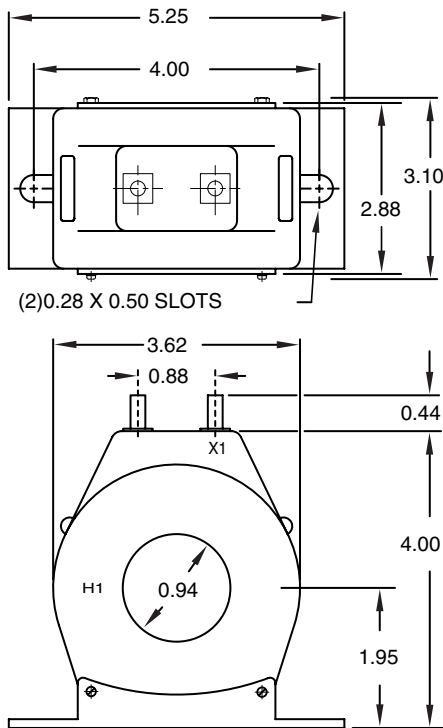
SPECIFICATIONS

Frequency 50-400Hz
 Insulation Class 0.6KV, BIL 10KV Full Wave
 Terminals Brass Studs No. 8-32 UNC
 with one flat washer, lockwasher and regular nut.
 Weight Approximately 5.25 lbs.

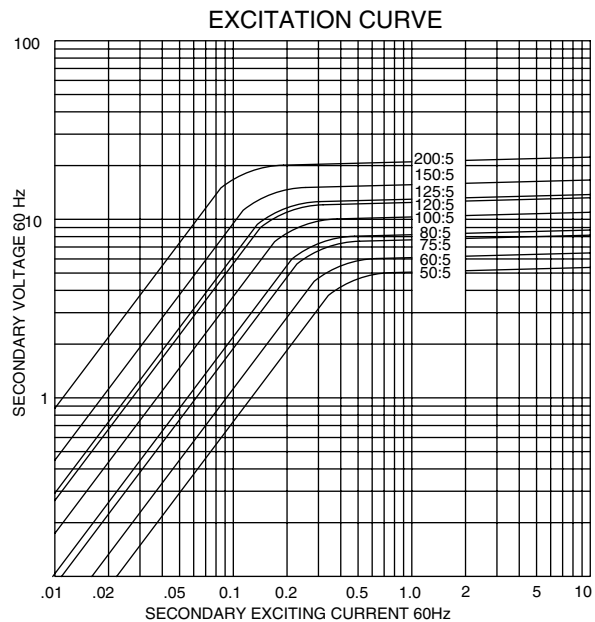
APPLICATION AND ORDERING DATA

CATALOG NUMBER	CURRENT RATIO	VA FOR + 6% CLASS	VA FOR + 3% CLASS	ANSI METERING CLASS AT 60 HZ					SECONDARY WINDING RESISTANCE (OHMS @ 75°C)	CONTINUOUS THERMAL RATING FACTOR	
				B0.1	B0.2	B0.5	B0.9	B1.8		@30°C	@55°C
60RBT-500	50:5	10.0	2.5	1.2	4.8	-	-	-	0.018	2.0	2.0
60RBT-600	60:5	15.0	3.0	1.2	2.4	-	-	-	0.021	2.0	2.0
60RBT-750	75:5	-	10.0	0.6	1.2	4.8	-	-	0.027	2.0	2.0
60RBT-800	80:5	-	15.0	0.6	1.2	2.4	4.8	-	0.028	2.0	2.0
60RBT-101	100:5	-	7.5+1%	0.6	0.6	2.4	4.8	4.8	0.037	2.0	2.0
60RBT-121	120:5	-	12.5+1%	0.6	0.6	1.2	2.4	4.8	0.043	2.0	2.0
60RBT-1250	125:5	-	15.0+1%	0.6	0.6	1.2	2.4	4.8	0.044	2.0	2.0
60RBT-151	150:5	-	20.0+1%	0.3	0.3	0.6	1.2	2.4	0.055	2.0	1.5
60RBT-201	200:5	-	25.0+1%	0.3	0.3	0.3	0.6	1.2	0.073	2.0	1.5

DIMENSIONS



EXCITATION CURVE



FLEX-CORE®

Div. Morlan & Associates, Inc.

6625 McVey Blvd. Columbus, Ohio 43235

WWW.FLEX-CORE.COM

sales@flex-core.com

PHONE (614) 889-6152

TECH. ASSISTANCE (614) 876-8308

FAX # (614) 876-8538