

CURRENT TRANSDUCERS

RMS CURRENT TRANSDUCER

MODEL ACTR

ACCURATE TO 0.25% FULL SCALE

FEATURES

- Accurate measurement of the **true RMS** value of input signals over a wide frequency range.
- Input/output isolation.

INPUT	STANDARD OUTPUTS MODEL NUMBER ACTR-			
CURRENT (AMPS)	0-1mA	4-20mA	0-10Vdc	0-5Vdc
0 to 1.0	001B	001E	001D	001X5
0 to 5.0	005B	005E	005D	005X5
0 to 10.0	010B	010E	010D	010X5
0 to 15.0	015B	015E	015D	015X5
0 to 20.0	020B	020E	020D	020X5

Highlighted model (5A) can be used with current transformers.
All std. units require 115VAC, +15% instrument power, (50-60 Hz.).
Optional 230Vac instrument power-Add suffix "-22".

APPLICATIONS

- For use in applications where measurement of non-sinusoidal waveforms is required.
- Designed to withstand motor start-up transients.



File E167120

Model ACTR



ORDERING INFORMATION

Example: 15 Amp AC Input with
0-10Vdc Output.
ACTR-015D

MODEL ACTR SPECIFICATIONS

INPUT

Current See Table
Frequency Range 48 to 420 Hz.
Burden 0.28VA F.S.
Current Overload
1-10A Range 2 X Full Scale (cont.)
15-20A Range 25A Maximum, continuous
10 X Rating (1 sec. transient) 10 Seconds/hour
Dielectric Test (Input/Output/Case) 2200Vac

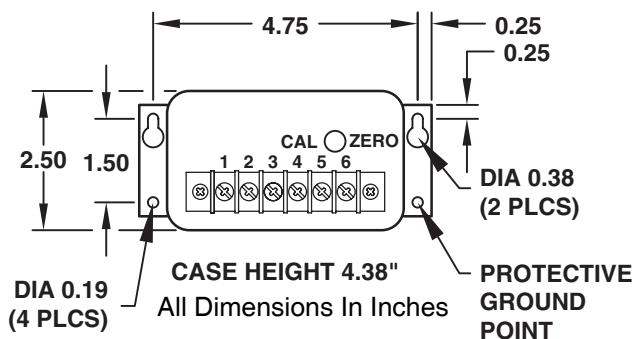
OUTPUT

Output Ripple Less than 1.0% F.S.
Response...(90%) 100 milliseconds
Output Loading (OHMS)
0-1mA 0-10K
0-10Vdc, 0-5Vdc 2K min.
4-20mA 0-500
Field Adjustable Cal. + 10%

ACCURACY **+ 0.25% F.S. @ 60Hz**
Includes effects of linearity and setpoint.
+ 0.5% over frequency range (typ.)

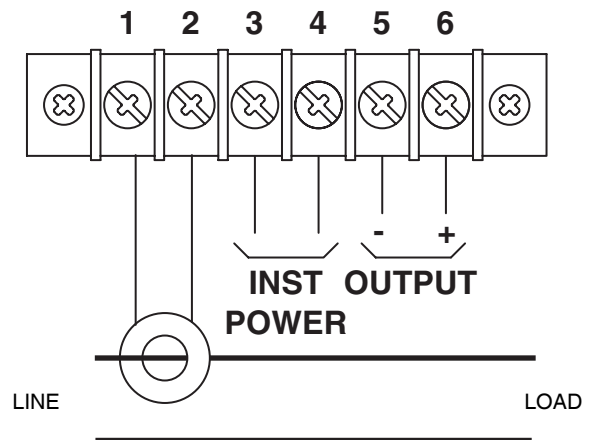
Temperature Effect (-20°C to 60°C) + 1.0% Rdg.
Instrument Power..(Std.) 115Vac, +15%,50-60 Hz.,3.5VA
Weight 1.5 lbs.

MODEL ACTR DIMENSIONS

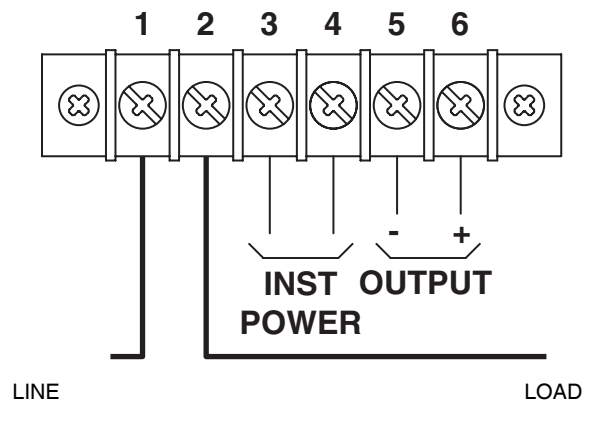


CONNECTION DIAGRAMS

Direct Connection



Using Current Transformers



FLEX-CORE®

Div. Morlan & Associates, Inc.

6625 McVey Blvd. Columbus, Ohio 43235

WWW.FLEX-CORE.COM

sales@flex-core.com

PHONE (614) 889-6152

TECH. ASSISTANCE (614) 876-8308

FAX # (614) 876-8538

CURRENT TRANSDUCERS