

# CURRENT TRANSDUCERS

## DC & RMS CURRENT TRANSDUCERS

## MODEL CT7 & CT8

DC TO 500Hz

0.1 TO 20A INPUTS

### FEATURES

- Input/output isolation of 2500V.
- The CT7 provides an output which is directly proportional to the DC input signal.
- The CT8 provides an output which is directly proportional to the **RMS** value of AC and/or dc input signal.

### APPLICATIONS

- Accurate measurement of current waveforms containing dc and non-sinusoidal AC components.
- Low current measurement.



INPUT AMPS	STANDARD OUTPUTS MODEL CT7 & CT8			
	1mA	4-20mA	10V	5V
0 to 0.1	002B	002E	002D	002X5
0 to 0.5	004B	004E	004D	004X5
0 to 1.0	006B	006E	006D	006X5
0 to 1.5	007B	007E	007D	007X5
0 to 2.0	008B	008E	008D	008X5
0 to 5.0	014B	014E	014D	014X5
0 to 10.0	015B	015E	015D	015X5
0 to 15.0	016B	016E	016D	016X5
0 to 20.0	017B	017E	017D	017X5

### ORDERING INFORMATION

Example: 0-5A dc Input  
with 4-20mA Output.  
**CT7-014E**

Bi-directional (+/-) output on CT7

### SPECIFICATIONS

#### INPUT

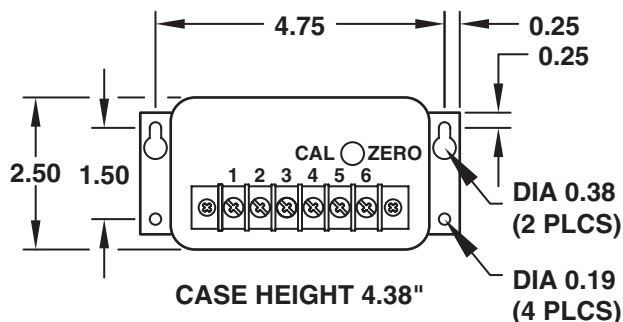
Current ..... See Table  
 Frequency Range ..... dc-500Hz  
 Burden ..... VA (0.050V X F.S. Current)  
 Overload ..... 1.25 X F.S. Rating  
 Dielectric Test ..... (Input/Output/Case) ..... 2500Vac  
 Instrument Power  
 85-265Vac, 48-420Hz, 5VA, or 110-370Vdc  
 Temperature Effects...(-10°C to +60°C) ..... + 1.0% Rdg.  
 Field Adjustable Cal. .... + 10%

**Instrument Power Options**  
**Option -12, -15, -24, -37, -48**  
 for 12Vdc thru 48Vdc

#### OUTPUT

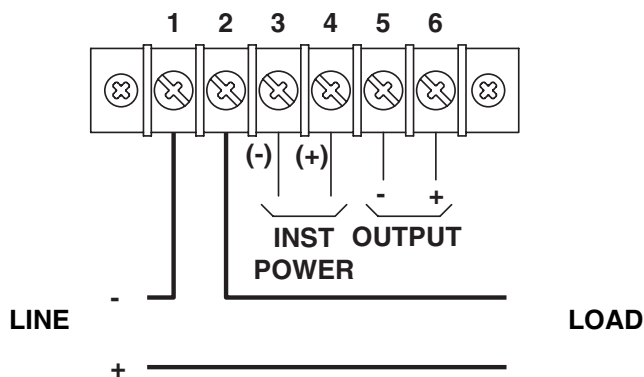
**ACCURACY**.....Includes effects of linearity and repeatability.  
 CT7 Models ..... + 0.25% F.S. @ DC  
 CT8 Models ..... + 0.25% F.S. @ 48-420Hz  
 Response Time ..... (to 90%)  
 CT7 Models ..... 1 millisecond  
 CT8 Models ..... 100 milliseconds  
 Ripple ..... <1.0% F.S.  
 Output Loading (Ohms)  
 0-1mA ..... 0-10K  
 5V & 10V ..... >2K  
 20mA ..... 0-500  
 Net Weight ..... 1.5 Lbs.

### CASE DIMENSIONS



All Dimensions In Inches

### CONNECTION DIAGRAMS



**FLEX-CORE®**  
 Div. Morlan & Associates, Inc.  
 6625 McVey Blvd. Columbus, Ohio 43235

WWW.FLEX-CORE.COM  
 sales@flex-core.com

PHONE (614) 889-6152  
 TECH. ASSISTANCE (614) 876-8308  
 FAX # (614) 876-8538