

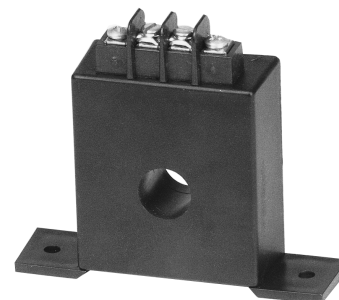
CURRENT TRANSDUCERS

AC CURRENT TRANSDUCER/ TRANSFORMER

MODEL CTC

FEATURES

- The CTC Series of AC Current Transducers provide a self-powered 0-5V or 0-10V output or a loop-powered 4-20mA output proportional to window amperes. The output is derived from the average absolute value of the input and calibrated to the RMS value of a sine wave input.
- Insensitive to Polarity
- Designed for applications requiring accurate current measurements.
- Easy to install



LISTED File E167120

Model CTC

SPECIFICATIONS

INPUT

Current Range See Table
 Current Overload 1.3X Rating Continuous
 5X Rating for 10 sec./Hr.

Burden 0.15VA
 Frequency 50-60 Hz
 Dielectric Test Input/Output/Case 1800 Vac
 Instrument Power

(0-5V, 0-10V Models) Self-Powered
 (4-20mA Models) Loop Powered, 24Vdc, ±4V

OUTPUTS

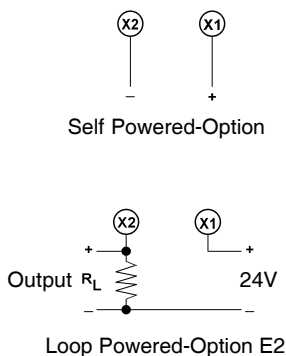
Load on Output See Table
 (0-5V, 0-10V Models) >10M Ohms
 (4-20mA Models) 0 to 500 Ohms

Ripple < ± 0.5% FS
 Response Time 90% (Typical) 300mSec.

5A & 10A < 750mS
ACCURACY **(5A)** **0.5%FS**
(10A-50A) **0.25%FS**

(Includes Linearity, Set Point and Repeatability)
 Temperature Effect....(-20° C to +60° C) ±1%Rdg.

CONNECTIONS



ORDERING INFORMATION

Example: 25 Amps AC Input with
 4-20mA Loop Powered Output
 CTC-025E2

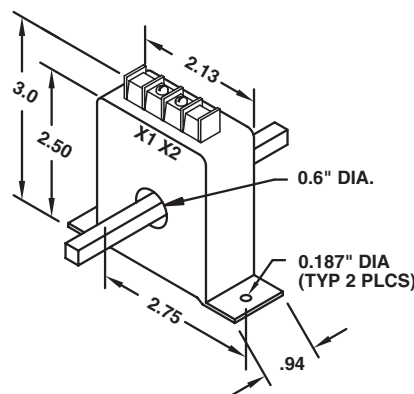
STANDARD MODELS

INPUT AC AMPS	STANDARD OUTPUTS MODEL CTC-		
	5Vdc*	10Vdc*	4 - 20mA**
0 - 5	005CX5	005C	005E2
0 - 10	010CX5	010C	010E2
0 - 15	015CX5	015C	015E2
0 - 20	020CX5	020C	020E2
0 - 25	025CX5	025C	025E2
0 - 30	030CX5	030C	030E2
0 - 35	035CX5	035C	035E2
0 - 40	040CX5	040C	040E2
0 - 50	050CX5	050C	050E2

* 5V and 10V models are self-powered from measured line.

**4-20mA loop-powered models require an external 24Vdc power supply.

DIMENSIONS



All Dimensions in Inches

Div. Morlan & Associates, Inc. 6625 McVey Blvd. Columbus, Ohio 43235	WWW.FLEX-CORE.COM	PHONE (614) 889-6152
	sales@flex-core.com	TECH. ASSISTANCE (614) 876-8308
		FAX # (614) 876-8538

CURRENT TRANSDUCERS