

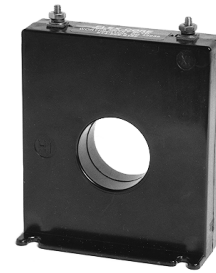
CURRENT TRANSDUCERS

AC CURRENT TRANSDUCER/ TRANSFORMER

MODEL CTD

FEATURES

- The CTD Series of AC Current Transducers provide a DC output which is proportional to the AC current input. The output is derived from the average absolute value of the input and calibrated as the RMS value of the sine wave.
- Ideal for Applications where space is a consideration.
- Transformer and Transducer are housed in one case.



Model CTD

SPECIFICATIONS

INPUT

Current Range See Table
 Overrange 5X Rating for 10 Sec/hr
 Burden 5VA
 Frequency 50-400 Hz
 Dielectric Test.....Input/Output/Case 1800 Vac
 Instrument Power

(1mA, 5Vdc, 10Vdc Models) Self-Powered
 (4-20mA Models) 24Vdc \pm 4Vdc

OUTPUTS See Table
 Load on Output

(1mA Models) 0 to 10K Ohms
 (5V, 10V Models) > 10M Ohms
 (4-20mA Models) 0 to 500 Ohms

Ripple < \pm .5% FS
 Response Time 90% 300m Sec.

ACCURACY \pm .5% FS
 (Includes Linearity, Nominal Frequency and Set Point) .
 Temperature Effect....(-20° C to +60° C) \pm 1% F.S.

ORDERING INFORMATION

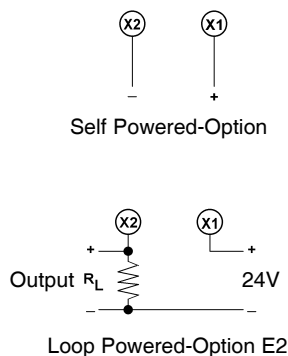
Example: 50 Amps AC Input with
 4-20mA Loop-Powered Output.
CTD - 050E2

STANDARD MODELS

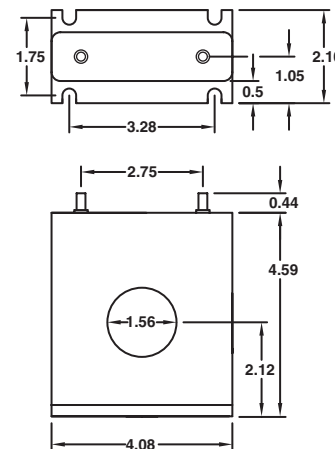
INPUT AC AMPS	STANDARD OUTPUTS MODEL CTD-			
	5Vdc	10Vdc	1mA	4-20mA [*]
0-50	050CX5	050C	050A	050E2
0-100	100CX5	100C	100A	100E2
0-200	200CX5	200C	200A	200E2
0-300	300CX5	300C	300A	300E2
0-400	400CX5	400C	400A	400E2
0-500	500CX5	500C	500A	500E2
0-600	600CX5	600C	600A	600E2
0-800	800CX5	800C	800A	800E2
0-1000	1000CX5	1000C	1000A	1000E2

* Requires 24Vdc \pm 4Vdc (Loop Powered)

CONNECTIONS



DIMENSIONS



All Dimensions In Inches

FLEX-CORE®
 Div. Morlan & Associates, Inc.
 6625 McVey Blvd. Columbus, Ohio 43235

WWW.FLEX-CORE.COM
 sales@flex-core.com

PHONE (614) 889-6152
 TECH. ASSISTANCE (614) 876-8308
 FAX # (614) 876-8538

CURRENT TRANSDUCERS