

CURRENT TRANSFORMERS

15 KV CURRENT TRANSFORMER

MODEL CTWH5-B

CURRENT TRANSFORMERS

DESCRIPTION

- Wound Primary Current Transformer
- 15KV Class
- FOR INDOOR USE ONLY
- METERING CLASS
- UL Recognized
- For Metering & Relaying applications

15 KV CLASS



SPECIFICATIONS

Frequency 50-400Hz
 Insulation Class 15.5KV, BIL 110KV Full Wave
 Continuous Thermal Factor

5:5 thru 600:5 1.5 at 30°C, 1.33 at 55°C

800:5 thru 1200:5 1.0 at 30°C, .08 at 55°C

Primary Terminals Plated Copper Bars

Secondary Terminals Brass Screws No.10-32

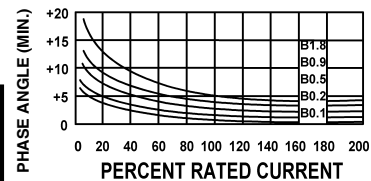
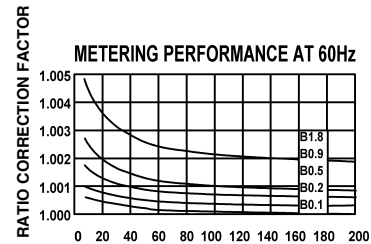
Encasement Vacuum Cast in Polyurethane Resin

Weight Approximately 76 lbs.

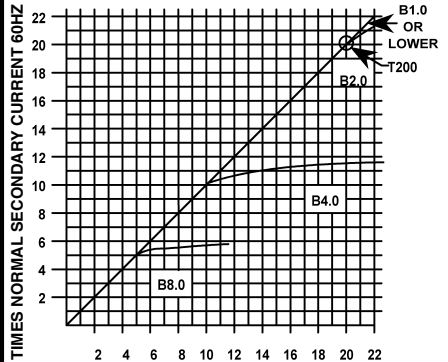
*Approved for Revenue Metering by Industry Canada AE-0640R.01

CATALOG NUMBER	CURRENT RATIO	RELAY CLASS	ANSI METERING CLASS AT 60 HZ					**THERMAL CURRENT RATING 1 SECOND RMS AMPS
			B0.1	B0.2	B0.5	B0.9	B1.8	
CTWH5B-110-T200-050	5:5	T200	0.3	0.3	0.3	0.3	0.3	470
CTWH5B-110-T200-100	10:5*	T200	0.3	0.3	0.3	0.3	0.3	950
CTWH5B-110-T200-150	15:5*	T200	0.3	0.3	0.3	0.3	0.3	1440
CTWH5B-110-T200-200	20:5*	T200	0.3	0.3	0.3	0.3	0.3	1840
CTWH5B-110-T200-250	25:5*	T200	0.3	0.3	0.3	0.3	0.3	2670
CTWH5B-110-T200-300	30:5*	T200	0.3	0.3	0.3	0.3	0.3	2920
CTWH5B-110-T200-400	40:5*	T200	0.3	0.3	0.3	0.3	0.3	3700
CTWH5B-110-T200-500	50:5*	T200	0.3	0.3	0.3	0.3	0.3	4700
CTWH5B-110-T200-750	75:5*	T200	0.3	0.3	0.3	0.3	0.3	7575
CTWH5B-110-T200-101	100:5*	T200	0.3	0.3	0.3	0.3	0.3	12940
CTWH5B-110-T200-151	150:5*	T200	0.3	0.3	0.3	0.3	0.3	14375
CTWH5B-110-T200-201	200:5*	T200	0.3	0.3	0.3	0.3	0.3	25875
CTWH5B-110-T200-301	300:5*	T200	0.3	0.3	0.3	0.3	0.3	27520
CTWH5B-110-T200-401	400:5*	T200	0.3	0.3	0.3	0.3	0.3	40350
CTWH5B-110-T200-601	600:5*	T200	0.3	0.3	0.3	0.3	0.3	66225
CTWH5B-110-T200-801	800:5*	T200	0.3	0.3	0.3	0.3	0.3	66225
CTWH5B-110-T200-102	1000:5*	T200	0.3	0.3	0.3	0.3	0.3	66225
CTWH5B-110-T200-122	1200:5*	T200	0.3	0.3	0.3	0.3	0.3	66225

**WITH A BURDEN OF 0.35 OHMS OR GREATER CONNECTED TO SECONDARY

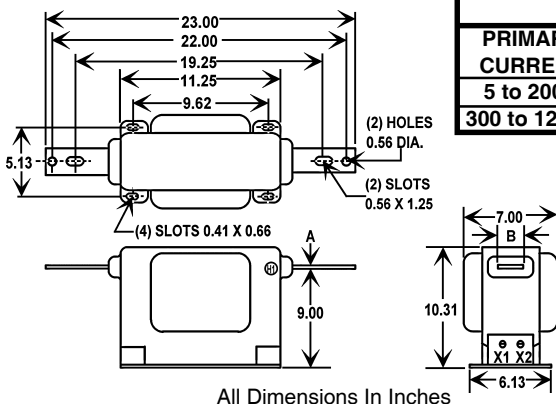


TYPICAL OVERCURRENT RATIO CURVE AT 60Hz

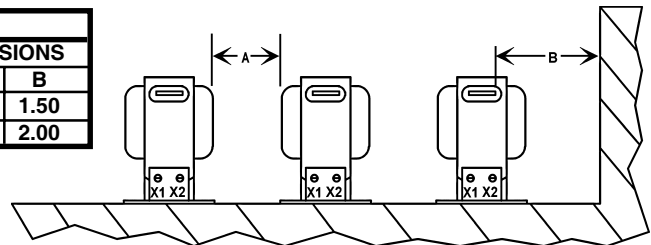


TIMES NORMAL PRIMARY CURRENT 60HZ

DIMENSIONS



RECOMMENDED MINIMUM SPACING



A: Unit to Unit = 1.50" minimum.
 B: HV to Ground in Air = 6.50" minimum.

Recommended spacings are for guidance only. User needs to set appropriate values to assure performance for high potential test, impulse test, high humidity, partial discharge, high altitude, and other considerations like configurations.

FLEX-CORE®
 Div. Morlan & Associates, Inc.
 6625 McVey Blvd. Columbus, Ohio 43235

WWW.FLEX-CORE.COM
 sales@flex-core.com

PHONE (614) 889-6152
 TECH. ASSISTANCE (614) 876-8308
 FAX # (614) 876-8538