

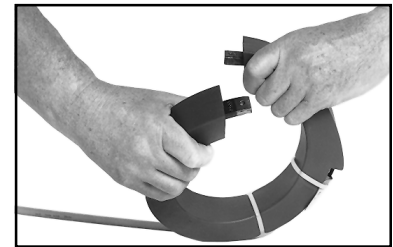
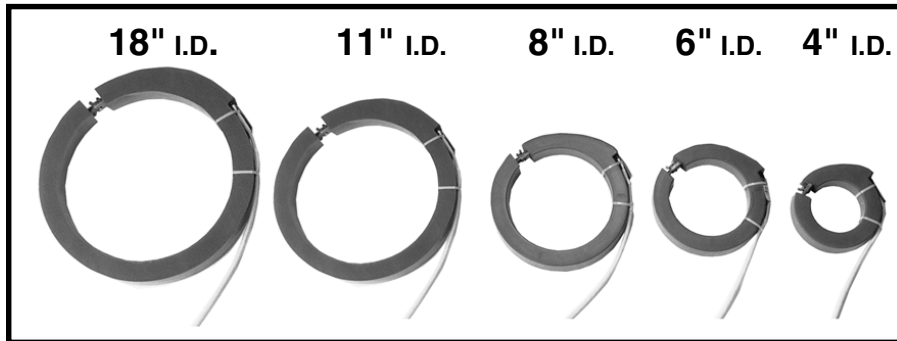
CURRENT TRANSFORMERS

SPLIT CORE CURRENT TRANSFORMERS

MODEL FC

CURRENT TRANSFORMERS

FLEX-CORE® Circular Models



Note:
Open split-core with a twisting motion only.

FEATURES

This split-core current transformer was designed for easy installation on large bus or wire conductors in order to make electrical load surveys or for continuous monitoring of current.

SPECIFICATIONS



Construction

Directional silicon steel is used for the flexible core. Secondary windings are of copper. Unit is encapsulated in silicone rubber which protects against moisture, dirt, oil and corona.

Insulation Level 0.72KV, BIL 10KV Full Wave
Can be used over insulated conductors on higher voltage circuits. Rubber inserts are available for a more precise fit to your conductor.

Frequency 50-400Hz

Operating Temp. Range -45°C to +55°C

Altitude 4000 Meters

Safety Factor

A self-contained voltage clamping circuit prevents dangerous high voltage across the secondary windings in case of accidental opening of the output leads when the primary circuit is energized. This circuit will trigger within 10 microseconds when the secondary voltage rises to 40 volts or more, clamping the output to less than 1 volt.

Secondary Leads 12 Ft. with spade connectors
Custom lead lengths are available.

Color Transformer (red) - Leads (yellow)

Remains flexible from -45° to +200°C.

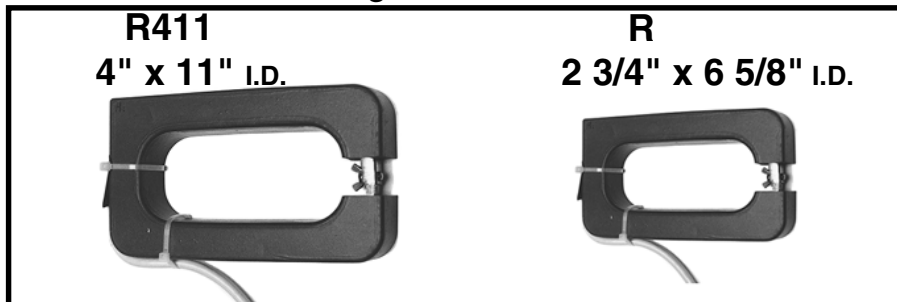
Meets IEC 60044-1 Standards

APPLICATIONS

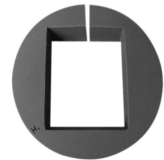
For use with any 5 Amp Indicating or Recording Ammeter or Amp or Watt Transducer. Other applications include:

- Watt Transducer
- Current Transducer
- KWH Meter
- Demand Meter
- Power Factor Meter
- Current Sensing Relays
- Energy Management Systems

FLEX-CORE® Rectangular Models



Loop Coil



Custom Insert

ORDERING INFORMATION

FC X X X X / X - X

RATIO
I.D.

-4 -6 -8 -11 -18 -R -R411

Example: 500A Split-Core with 4" Inside Diameter

FC500/5-4

Note:
Open split-core with a twisting motion only.



FLEX-CORE®
Div. Morlan & Associates, Inc.
6625 McVey Blvd. Columbus, Ohio 43235

WWW.FLEX-CORE.COM
sales@flex-core.com

PHONE (614) 889-6152
TECH. ASSISTANCE (614) 876-8308
FAX # (614) 876-8538

CURRENT TRANSFORMERS

SPLIT CORE CURRENT TRANSFORMERS

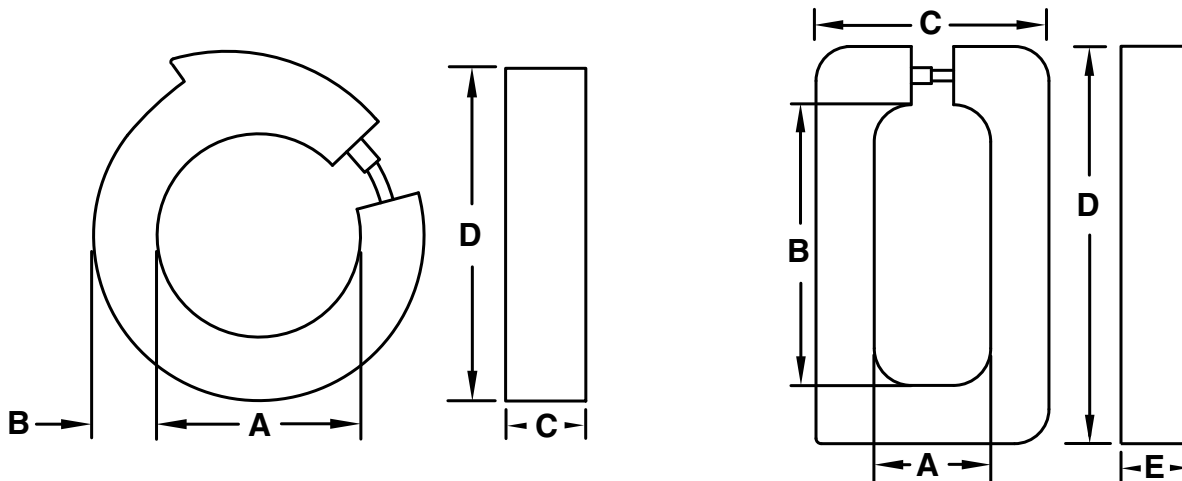
MODEL FC

CURRENT TRANSFORMERS

CURRENT RATIO	INSIDE DIAMETER							BURDEN CAPACITY	ACCURACY	THERMAL FACTOR @30°C	THERMAL FACTOR @55°C
	ROUND					RECTANGLE					
	4"	6"	8"	11"	18"	-R	-R411				
200/5	X	-	-	-	-	-	-	2VA	4%	1.25	1.00
250/5	X	-	-	-	-	-	-	2VA	4%	1.25	1.00
300/5	X	X	-	-	-	-	-	2VA	4%	1.25	1.00
400/5	X	X	-	-	-	X	-	2VA	3%	1.25	1.00
500/5	X	X	-	-	-	X	-	3VA	3%	1.25	1.00
600/5	X	X	-	-	-	X	-	5VA	2%	1.25	1.00
800/5	X	X	-	-	-	X	-	5VA	2%	1.25	1.00
1000/5	X	X	X	-	-	X	-	5VA	1%	1.25	1.00
1200/5	X	X	X	-	-	X	-	5VA	1%	1.25	1.00
1500/5	X	X	X	X	-	X	X	15VA	1%	1.25	1.00
1600/5	X	X	X	X	-	X	X	15VA	1%	1.25	1.00
2000/5	X	X	X	X	X	X	X	25VA	1%	1.25	1.00
2400/5	-	X	X	X	X	X	X	30VA	1%	1.25	1.00
2500/5	-	X	X	X	X	X	X	35VA	1%	1.25	1.00
3000/5	-	X	X	X	X	X	X	45VA	1%	1.25	1.00
3500/5	-	X	X	X	X	X	X	45VA	1%	1.25	1.00
4000/5	-	X	X	X	X	X	X	45VA	1%	1.25	1.00
5000/5	-	X	X	X	X	X	X	45VA	1%	1.25	1.00
6000/5	-	X	X	X	X	X	X	45VA	1%	1.25	1.00

AVERAGE WEIGHT	4"	6"	8"	11"	18"	(R) 2 3/4"x6 5/8"	(R411) 4"x11"
	3.5 lbs.	4.25 lbs.	5.5 lbs.	7.5 lbs.	17 lbs.	4.25 lbs.	6.25 lbs.

DIMENSIONS



INSIDE DIAMETER	CIRCULAR				MODEL
A	B	C	D		
4	1 1/4	1 1/2	6 1/2		-4
6	1 1/4	1 1/2	8 1/2		-6
8	1 1/4	1 1/2	10 1/2		-8
11	1 1/4	1 1/2	13 1/2		-11
18	1 1/4	1 1/2	20 1/2		-18

INSIDE DIAMETER	RECTANGULAR					MODEL
A	B	C	D	E		
2 3/4	6 5/8	5 1/2	9 3/8	11/2		-R
4	11	6 1/2	13 3/8	11/2		-R411

All Dimensions In Inches
 Black Wire = X1 (S1)
 White Wire = X2 (S2)

FLEX-CORE®
 Div. Morlan & Associates, Inc.
 6625 McVey Blvd. Columbus, Ohio 43235

WWW.FLEX-CORE.COM
 sales@flex-core.com

PHONE (614) 889-6152
 TECH. ASSISTANCE (614) 876-8308
 FAX # (614) 876-8538