

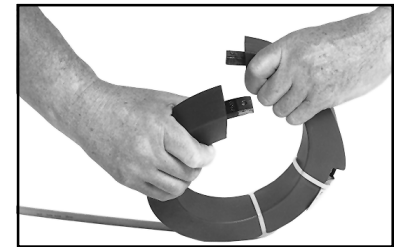
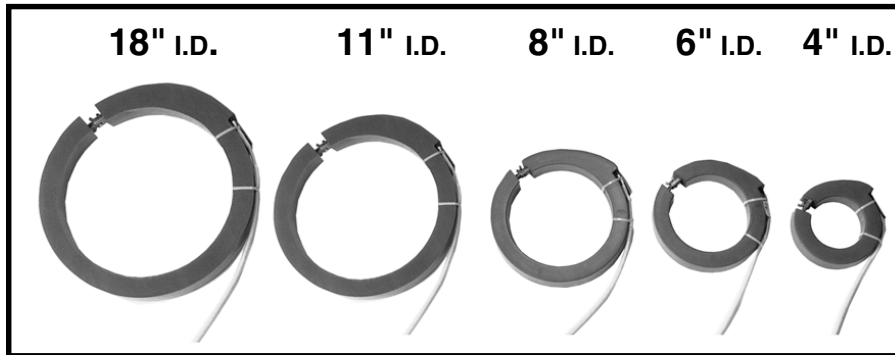
CURRENT TRANSFORMERS

SPLIT CORE CURRENT TRANSFORMERS

MODEL FCL

CURRENT TRANSFORMERS

FLEX-CORE® Circular Models



Note:
Open split-core with a twisting motion only.

FEATURES

This split-core current transformer was designed for easy installation on large bus or wire conductors in order to make electrical load surveys or for continuous monitoring of current.

SPECIFICATIONS

Construction

Directional silicon steel is used for the flexible core. Secondary windings are of copper. Unit is encapsulated in silicone rubber which protects against moisture, dirt, oil and corona.

Insulation Level 0.72KV, BIL 10KV Full Wave
 Frequency 50-400Hz
 Thermal Factor 1.25 at 30°C., 1.0 at 55°C.
 Operating Temp Range -45°C to +55°C
 Altitude Up to 4000 Meters

ACCURACY 200:5 thru 300:5 4%
 400:5 thru 500:5 3%
 600:5 thru 800:5 2%
 1000:5 thru 6000:5 1%

Secondary Leads 12 Ft. with spade connectors
 Custom lead lengths are available.

Color Transformer (red) - Leads (yellow)

Remains flexible from -45° to +200° C.

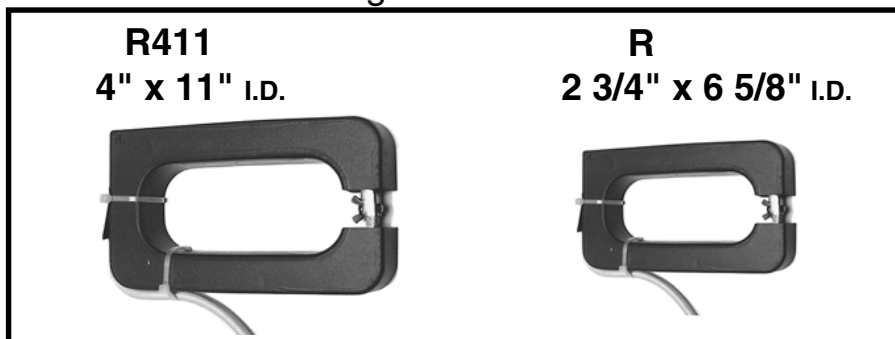
Meets IEC 60044-1 Standards

APPLICATIONS

For use with any 5 Amp Indicating or Recording Ammeter or Amp or Watt Transducer. Other applications include:

- Watt Transducer
- Current Transducer
- KWH Meter
- Demand Meter
- Power Factor Meter
- Current Sensing Relays
- Energy Management Systems

FLEX-CORE® Rectangular Models



Note:
Open split-core with a twisting motion only.

ORDERING INFORMATION

FCL X X X X / X - X

RATIO ————

I.D. ————

-4 -6 -8 -11 -18 -R -R411

Example: 1000A Split-Core with
6" Inside Diameter
FCL1000/5-6



FLEX-CORE®
 Div. Morlan & Associates, Inc.
 6625 McVey Blvd. Columbus, Ohio 43235

WWW.FLEX-CORE.COM
 sales@flex-core.com

PHONE (614) 889-6152
 TECH. ASSISTANCE (614) 876-8308
 FAX # (614) 876-8538

CURRENT TRANSFORMERS

SPLIT CORE CURRENT TRANSFORMERS

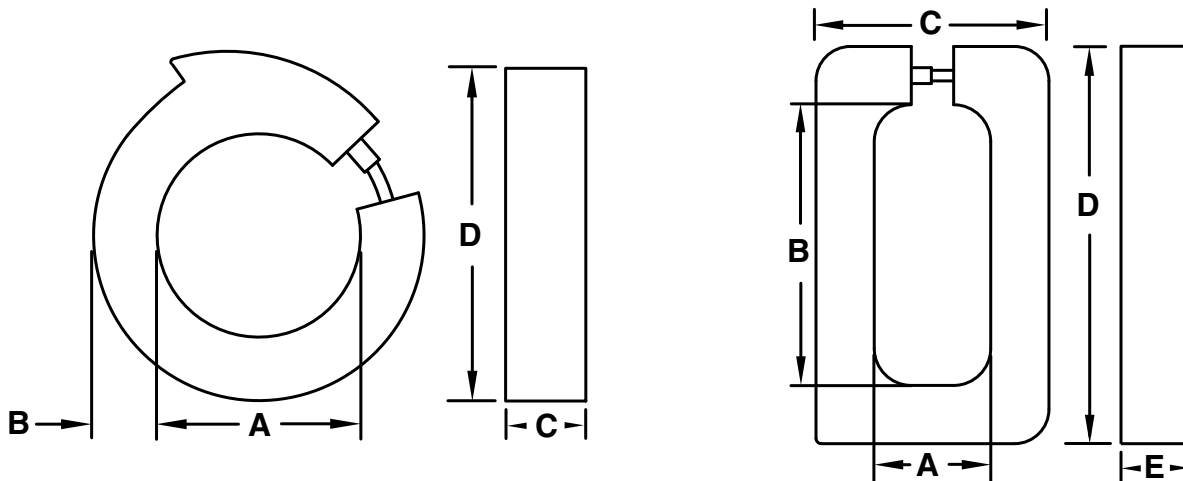
MODEL FCL

CURRENT TRANSFORMERS

CURRENT RATIO	INSIDE DIAMETER						BURDEN CAPACITY	ACCURACY	
	ROUND				RECTANGLE				
	4"	6"	8"	11"	18"	-R			-R411
200/5	X	-	-	-	-	-	-	2VA	4%
250/5	X	-	-	-	-	-	-	2VA	4%
300/5	X	X	-	-	-	-	-	2VA	4%
400/5	X	X	-	-	-	X	-	2VA	3%
500/5	X	X	-	-	-	X	-	3VA	3%
600/5	X	X	-	-	-	X	-	5VA	2%
800/5	X	X	-	-	-	X	-	5VA	2%
1000/5	X	X	X	-	-	X	-	5VA	1%
1200/5	X	X	X	-	-	X	-	5VA	1%
1500/5	X	X	X	X	-	X	X	15VA	1%
1600/5	X	X	X	X	-	X	X	15VA	1%
2000/5	X	X	X	X	X	X	X	25VA	1%
2400/5	-	X	X	X	X	X	X	30VA	1%
2500/5	-	X	X	X	X	X	X	35VA	1%
3000/5	-	X	X	X	X	X	X	45VA	1%
3500/5	-	X	X	X	X	X	X	45VA	1%
4000/5	-	X	X	X	X	X	X	45VA	1%
5000/5	-	-	X	X	X	-	X	45VA	1%
6000/5	-	-	-	X	X	-	X	45VA	1%

AVERAGE WEIGHT	4"	6"	8"	11"	18"	(R) 2 3/4"x6 5/8"	(R411) 4"x11"
	3.5 lbs.	4.25 lbs.	5.5 lbs.	7.5 lbs.	17 lbs.	4.25 lbs.	6.25 lbs.

DIMENSIONS



INSIDE DIAMETER	CIRCULAR				MODEL
A	B	C	D		
4	1 1/4	1 1/2	6 1/2		-4
6	1 1/4	1 1/2	8 1/2		-6
8	1 1/4	1 1/2	10 1/2		-8
11	1 1/4	1 1/2	13 1/2		-11
18	1 1/4	1 1/2	20 1/2		-18

INSIDE DIAMETER	RECTANGULAR					MODEL
A	B	C	D	E		
2 3/4	6 5/8	5 1/2	9 3/8	1 1/2		-R
4	11	6 1/2	13 3/8	1 1/2		-R411

All Dimensions In Inches
 Black Wire = X1 (S1)
 White Wire = X2 (S2)

FLEX-CORE®
 Div. Morlan & Associates, Inc.
 6625 McVey Blvd. Columbus, Ohio 43235

WWW.FLEX-CORE.COM
 sales@flex-core.com

PHONE (614) 889-6152
 TECH. ASSISTANCE (614) 876-8308
 FAX # (614) 876-8538