

# ACCESSORIES

## SHORTING TERMINAL BLOCK

**MODEL IKU**

### FEATURES

- UL Recognized
- Short circuiting versions for meter servicing, CT tap changing, etc.
- Rugged non-chipping heavy duty construction
- Clear bi-directional hinged captive plastic cover
- 4, 6, and 8 Pole configuration



IKU8SC

IKU6SC

IKU4SC

### SPECIFICATIONS

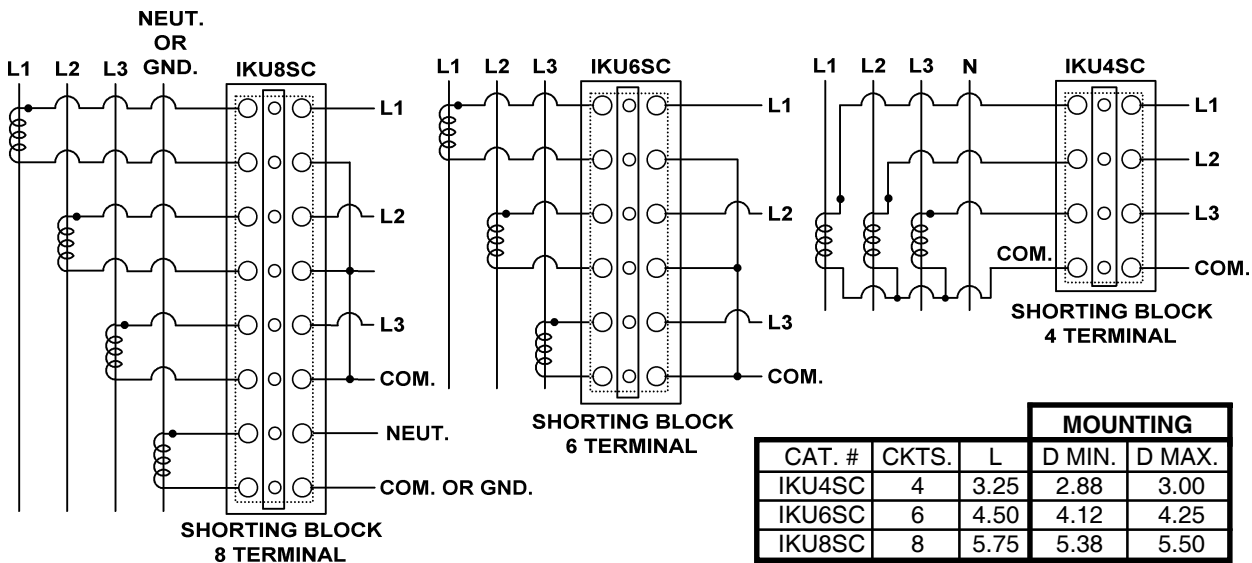
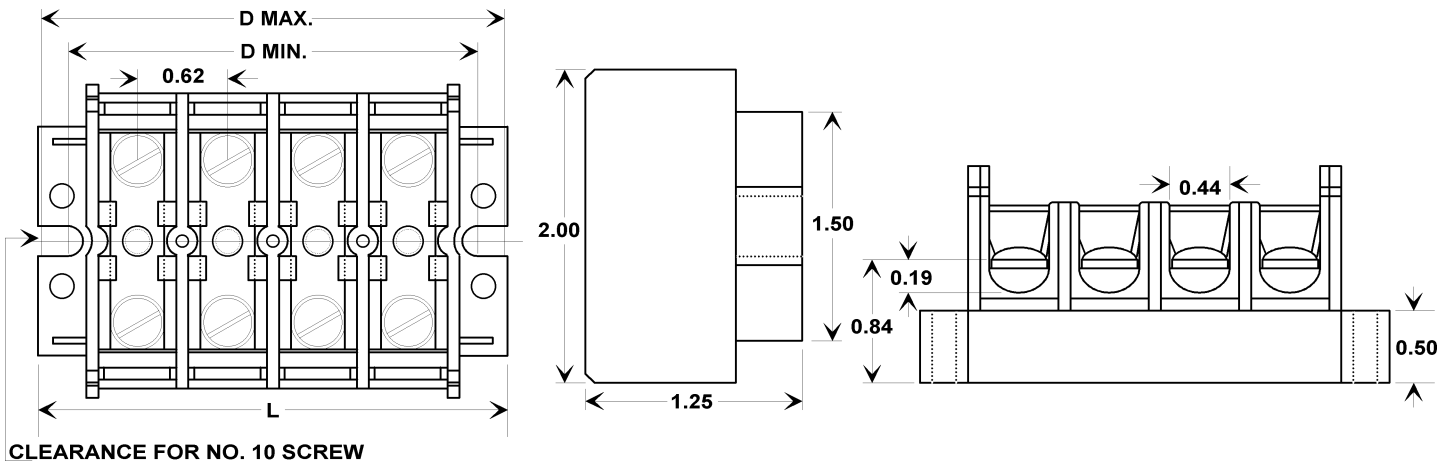


Rating ..... 600VAC, 50 Amp  
 Wire Range ..... 10 AWG Max.  
 Material ..... UL Recognized 105°C thermoplastic body  
 Terminal screws ..... #10-32 tin plated round washer head steel screws  
 Terminals ..... Brass, allows lugs up to 1/2" in width  
 4, 6 and 8 pole configurations ..... Shorting type with covers, knurled shorting screws and screw "Parking Stations"  
 Surface Mounting ..... Flat base for one piece terminal block replacement

### ORDERING INFORMATION

CATALOG NO.	NUMBER OF POLES
IKU4SC	4
IKU6SC	6
IKU8SC	8

### MODEL IKU MOUNTING, WIRING & DIMENSIONS (INCHES)



CAT. #	CKTS.	L	MOUNTING	
			D MIN.	D MAX.
IKU4SC	4	3.25	2.88	3.00
IKU6SC	6	4.50	4.12	4.25
IKU8SC	8	5.75	5.38	5.50

**FLEX-CORE®**  
 Div. Morlan & Associates, Inc.  
 6625 McVey Blvd. Columbus, Ohio 43235

[WWW.FLEX-CORE.COM](http://WWW.FLEX-CORE.COM)  
 sales@flex-core.com

PHONE (614) 889-6152  
 TECH. ASSISTANCE (614) 876-8308  
 FAX # (614) 876-8538

ACCESSORIES