

CURRENT TRANSFORMERS

REMOVABLE LEG CURRENT TRANSFORMER

MODEL 331

MULTI-RATIO

FEATURES

- Excellent measurement accuracy
- Multiple Ratio taps for wide range of primary currents
- Removable leg for easy installation
- Voltage clamping circuit across output terminals

SPECIFICATIONS

 E93779
  LR89403
 All models on this page
 UL recognized

Model 331-100 I.D. = 4.5" X 4.5"



Physical Characteristics

Material:
 (CT and Mtg. Bracket) Noryl Polyethylene, G.E.
 SE-1 (UL Rated 94V-0)

Approximate Weight:
 Model 100- Two pounds
 Model 200- Two pounds

Output Leads:
 Amount: Four
 Size: 16AWG
 Type: Stranded & Color-coded
 Length: 24 inches

Electrical Characteristics

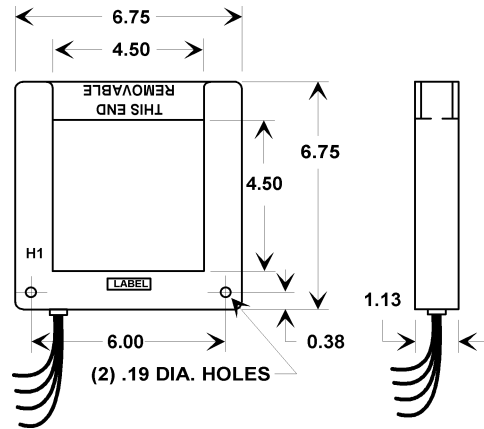
Output:
 Six 2-Wire combinations with five ampere full scale rating.

Frequency:
 50/400 HZ

Maximum open circuit output voltage:
 40 volts peak, clamped to 1 volt within 10 microseconds

Insulation:
 600V (UL 1244 or equivalent).

Continuous Thermal Rating Factor:
 133% of full load at 55° C



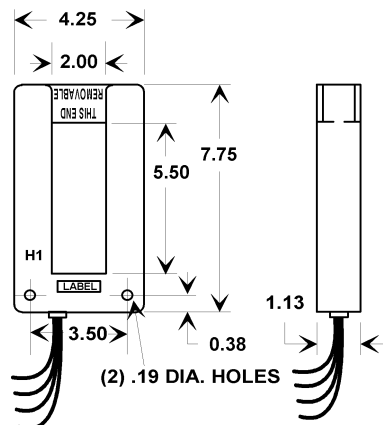
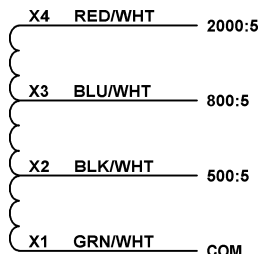
Model 331-200 I.D. = 2.0" X 5.5"



RATIO ACCURACY SECONDARY CONNECTIONS

RATIO	ACCURACY	SECONDARY CONNECTIONS
2000:5	±1%	Red/Wht & Grn/Wht
1500:5	±1%	Red/Wht & Blk/Wht
1200:5	±1%	Red/Wht & Blu/Wht
800:5	±2%	Blu/Wht & Grn/Wht
500:5	±2%	Blk/Wht & Grn/Wht
300:5	±3%	Blu/Wht & Blk/Wht

Power measurement accuracy (transformer correction factor) is shown at 0.85 power factor, 0.2 ohms burden and at rated current.



FLEX-CORE®
 Div. Morlan & Associates, Inc.
 6625 McVey Blvd. Columbus, Ohio 43235

WWW.FLEX-CORE.COM
 flexcore@msn.com

PHONE (614) 889-6152
 TECH. ASSISTANCE (614) 876-8308
 FAX # (614) 876-8538