

CURRENT TRANSFORMERS

CURRENT PROBE MODEL RR3035

The RR3035 is an AC current probe using the Rogowski principle. The flexible and lightweight measuring head enables quick and easy installation in hard to reach areas. The RR3035 is designed for use with oscilloscopes, recorders and data loggers.

GENERAL SPECIFICATIONS

Measuring Ranges ----- 30A/300A/3000A
 Output Sensitivity ----- 100mV/10mV/1mV/A (AC coupled)
 Accuracy (@25°C) ----- ± 1% of range
 Frequency Range ----- 10Hz to 50kHz
 Phase Error ----- ± 1° (45 to 65 Hz), ± 10° (at 50kHz)
 Linearity ----- ± 0.2% of reading from 10% to 100% of range
 Position Sensitivity ----- ± 2% of range, cable > 25mm (1") from coupling
 External Field ----- ± 1% with cable > 200mm (8") from coupling
 Minimum Load ----- 100k Ohms for specified memory
 Noise Level ----- 8mV_{rms} (0.26% of range) in 30A range
 ----- 2mV_{rms} (0.07% of range) in 300A and 3000A range
 Operating Temperature ----- -20° C to +85° C (-4°F to 185°F) Electronics
 Storage Temperature ----- -20° C to +85° C (-4°F to 185°F) Electronics
 Gain Variation ----- ± 0.08%/°C
 Common Mode Voltage --- Voltage between the Output and Earth must not exceed 30V
 Power Supply ----- 2 x AA MN1500 (1.5V) LR6 batteries
 --- or external power supply (+3V DC/100mA) via battery eliminator, 2.1mm connector
 Battery Life ----- 400 Hours Typical
 Low Battery Indication ----- Red LED
 Safety ----- BS EN 61010-1: 1993, 600V CAT III Pol. Deg 2
 EMC ----- EN61326: 1998
 Enclosure ----- IP5X, Flame retardant UL94-V0 rated
 Material ----- Valox 357 X
 Output Connections ----- Safety BNC female connector
 External Power ----- Via socket on enclosure
 Weight ----- 0.19kg (0/4lb.)

Measuring Head

Cable Length ----- 610mm (24 inches), double insulated
 ----- 910mm (36 inches), double insulated
 ----- 1220mm (48 inches), double insulated
 Cable I.D. (Closed) ----- 7.0 inches (24" length)
 ----- 10.9 inches (36" Length)
 ----- 14.7 inches (48" length)
 Cable Diameter ----- 14.3mm (0.562 inches)
 Bend Radius ----- 38.1mm (1.5 inches)
 Connecting Cable ----- 2m (78.7 inches) long, double insulated
 Material ----- TPE Rubber, Polypropylene, UL94-V0 rated
 Operating Temperature ----- -20° C to +90° C (-4°F to 194°F) Head
 Storage Temperature ----- -40° C to +105° C (-40°F to 221°F) Head
 Safety ----- BS EN 61010-1: 1993, 600V CAT III Pol. Deg 2
 Weight ----- 0.18kg (0.4lb.)

ORDERING INFORMATION		
Range	Head Size	Catalog Number
30-300-3000A	24"	RR3035-24
	36"	RR3035-36
	48"	RR3035-48



RR3035-24
RR3035-36
RR3035-48

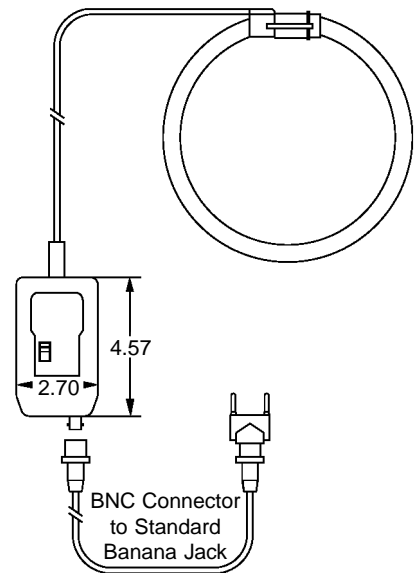


Optional 3V Power Supply
Model RR/ps



Optional Power Supply Adapter
Model RR/ps/4A

Dimensions



ALL DIMENSIONS IN INCHES

FLEX-CORE®
 Div. Morlan & Associates, Inc.
 6625 McVey Blvd. Columbus, Ohio 43235

WWW.FLEX-CORE.COM
 flexcore@msn.com

PHONE (614) 889-6152
 TECH. ASSISTANCE (614) 876-8308
 FAX # (614) 876-8538