

# CURRENT TRANSFORMERS

## METERING CLASS CURRENT TRANSFORMER

MODEL  
19&19RL

### FEATURES

- Metering Applications
- UL Recognized
- Window I.D. - 4.25"

### 600V CLASS



MODEL 19



MODEL 19RL

### SPECIFICATIONS

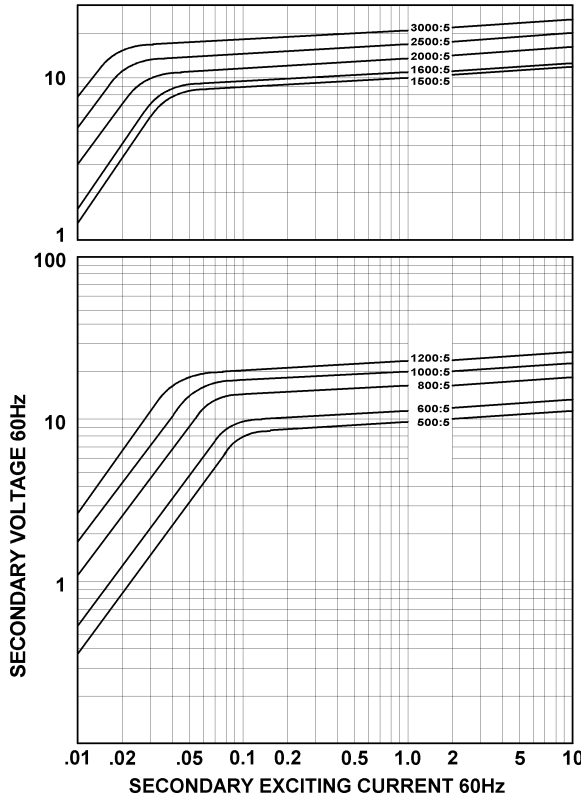
Frequency ..... 50-400Hz  
 Insulation class ..... 0.6KV, BIL 10KV Full Wave  
 Continuous Thermal Current Rating Factor  
     1.33 at 30°C. amb; 1.0 at 55°C. amb.  
 Terminals ..... Brass studs No. 8-32 UNC with one flat washer,  
     lockwasher and regular nut. (Model 19)  
 Leads ..... #16AWG, 24" long, UL105°C (Model 19RL)  
 Weight ..... Approximately 3 lbs.

### APPLICATION AND ORDERING DATA

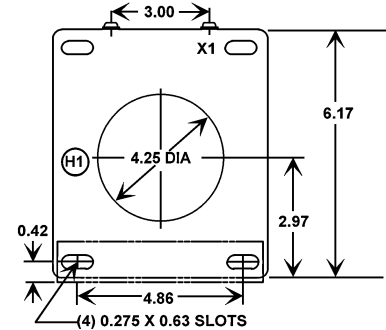
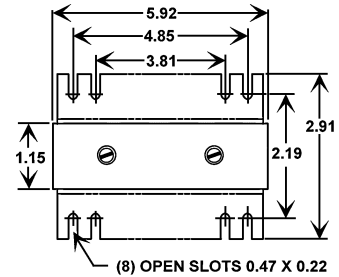
CATALOG NUMBER	CATALOG NUMBER	CURRENT RATIO	V.A. FOR ± 1% CLASS	ANSI METERING CLASS AT 60 HZ				SECONDARY WINDING RESISTANCE (OHMS @ 75°C)
				B0.1	B0.2	B0.5	B0.9	
19RL-501	19-501	500:5	15.0	0.3	0.3	0.6	1.2	0.087
19RL-601	19-601	600:5	15.0	0.3	0.3	0.6	1.2	0.116
19RL-801	19-801	800:5	30.0	0.3	0.3	0.3	0.6	0.155
19RL-102	19-102	1000:5	30.0	0.3	0.3	0.3	0.6	0.242
19RL-122	19-122	1200:5	40.0	0.3	0.3	0.3	0.3	0.291
19RL-152	19-152	1500:5	15.0	0.3	0.3	0.6	0.6	0.200
19RL-162	19-162	1600:5	15.0	0.3	0.3	0.3	0.6	0.213
19RL-202	19-202	2000:5	20.0	0.3	0.3	0.3	0.3	0.266
19RL-252	19-252	2500:5	20.0	0.3	0.3	0.3	0.3	0.333
19RL-302	19-302	3000:5	25.0	0.3	0.3	0.3	0.3	0.399

Optional mounting bracket ..... P/N 0221B00183

### EXCITATION CURVE

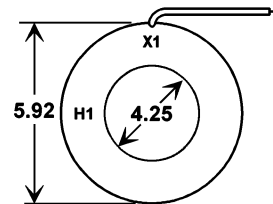
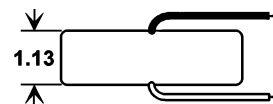


### MODEL 19 DIMENSIONS



ALL DIMENSIONS IN INCHES

### MODEL 19RL DIMENSIONS



ALL DIMENSIONS IN INCHES

**FLEX-CORE®**  
 Div. Morlan & Associates, Inc.  
 6625 McVey Blvd. Columbus, Ohio 43235

WWW.FLEX-CORE.COM  
 flexcore@msn.com

PHONE (614) 889-6152  
 TECH. ASSISTANCE (614) 876-8308  
 FAX # (614) 876-8538