

# POTENTIAL TRANSFORMERS

## THREE PHASE THREE WIRE POTENTIAL TRANSFORMER Model 2VT469

**600V CLASS**

### FEATURES

- Frequency: 60Hz
- Standard Secondary Voltage: 120VAC
- Insulation Class: 600 volts, 10kV BIL
- UL Recognized
- FOR INDOOR USE ONLY

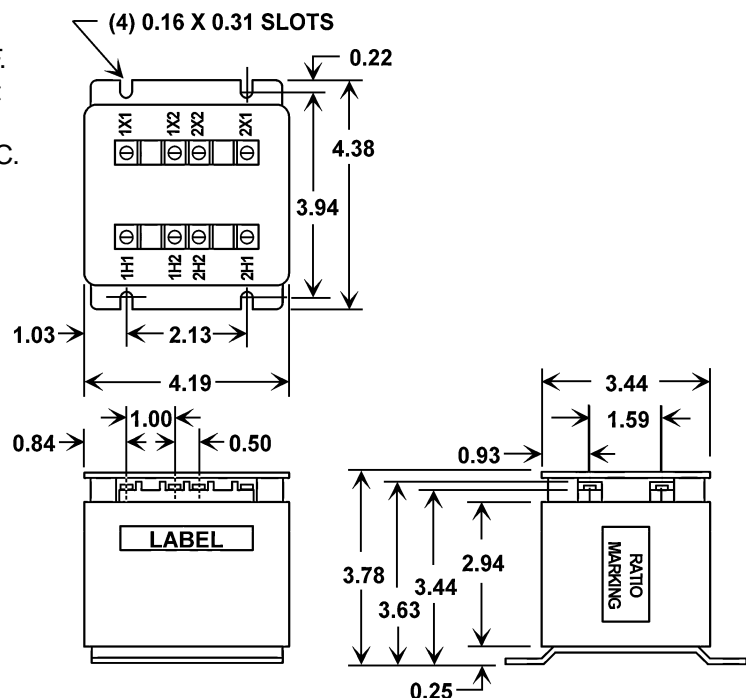


POTENTIAL TRANSFORMERS

### SPECIFICATIONS

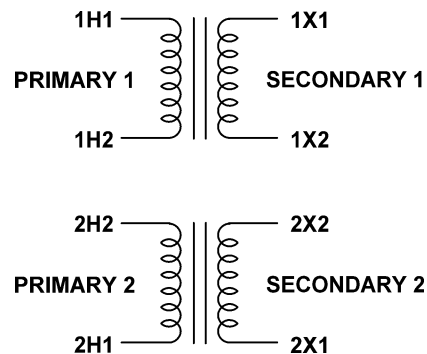
- Accuracy Class:
  - ± 1% at all burdens up to 5VA at 1.0 and .95 P.F.
  - The transformers are compensated for ± .5% at 5VA, .95 P.F.
- Thermal Rating: 40VA at 30°C amb., 27VA at 55°C.
- Terminals are 6-32 screws with one lockwasher and one flatwasher.
- The core and coil assembly is encased in a thermoplastic shell and filled with resin.
- These transformers are designed for operation line-to-line. They may also be operated line-to-ground or line-to-neutral at reduced voltage. (58% of rated volts)
- It is desirable to use a 0.40 Amp fuse in the secondary to protect the transformer.
- With two exceptions, these transformers are ANSI C57.13 Group 1. Those marked \* are Group 2.
- Weight: Approximately 4.5 lbs.

### MODEL 2VT469 CASE DIMENSIONS



ALL DIMENSIONS IN INCHES

### 2VT469 CONNECTION DIAGRAM



CATALOG NUMBER	VOLTAGE RATING	TURNS RATIO
2VT469-069	69:4:120	0.58:1
2VT469-120	120:120	1:1
2VT469-208	208:120	1.73:1
2VT469-240	240:120	2:1
2VT469-277	277:120	2.31:1
2VT469-288	288:120	2.4:1
2VT469-300	300:120	2.5:1
2VT469-480	*480:120	4:1
2VT469-600	*600:120	5:1

**FLEX-CORE®**

Div. Morlan & Associates, Inc.

6625 McVey Blvd. Columbus, Ohio 43235

WWW.FLEX-CORE.COM

flexcore@msn.com

PHONE (614) 889-6152

TECH. ASSISTANCE (614) 876-8308

FAX # (614) 876-8538