

ACCESSORIES

SHORTING TERMINAL BLOCK

MODEL IKU

FEATURES

- UL Recognized
- Short circuiting versions for meter servicing, CT tap changing, etc.
- Rugged non-chipping heavy duty construction
- Clear bi-directional hinged captive plastic cover
- 4, 6, and 8 Pole configuration



IKU8SC

IKU6SC

IKU4SC

SPECIFICATIONS

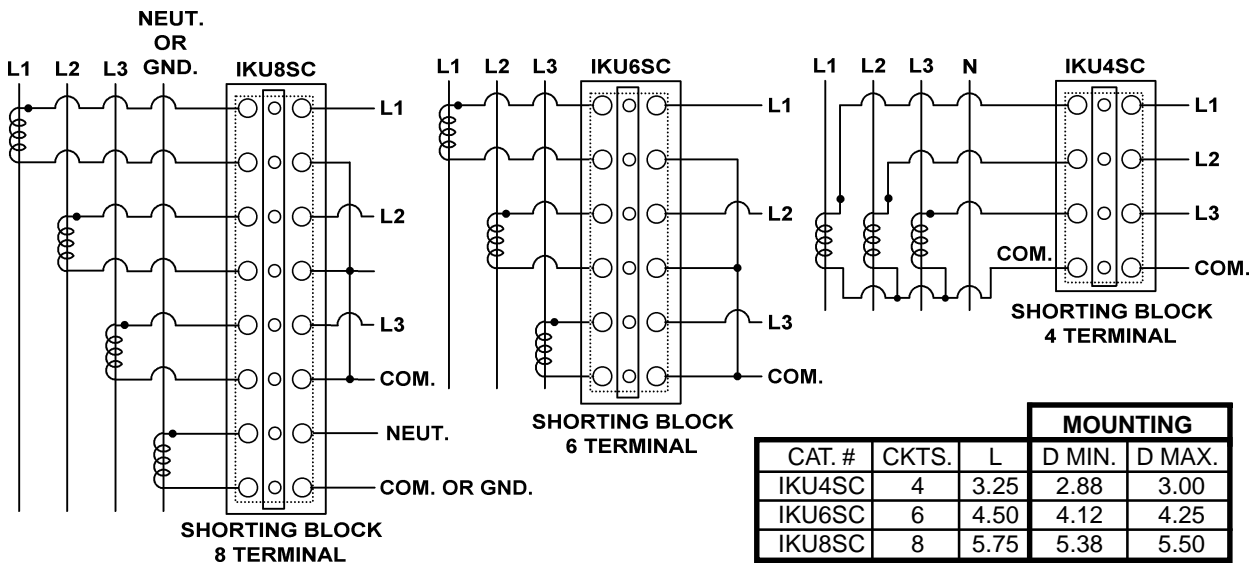
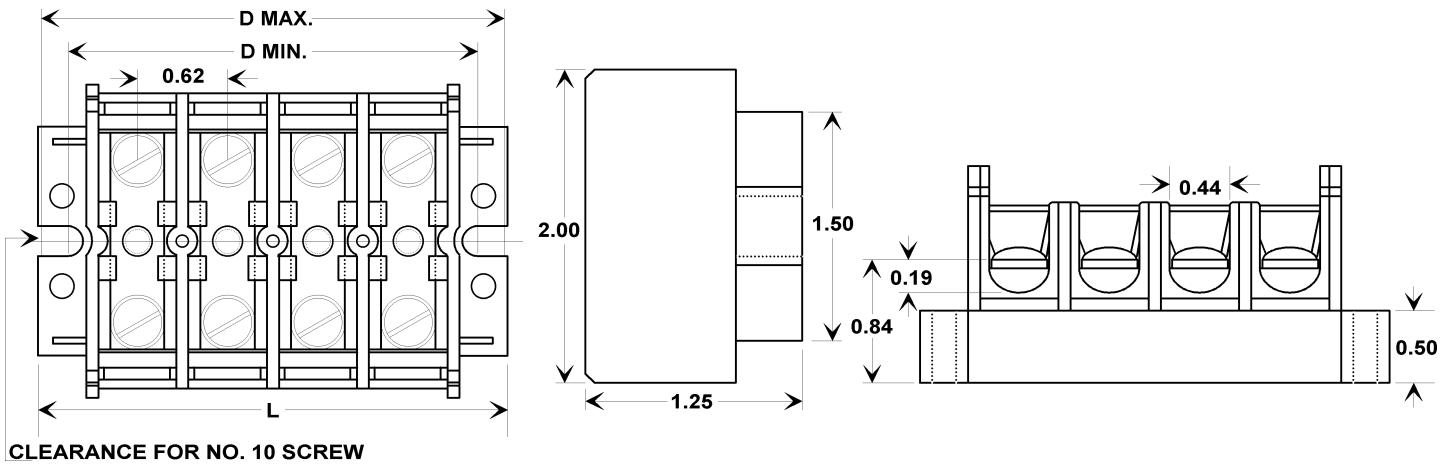


Rating 600VAC, 50 Amp
 Wire Range 10 AWG Max.
 Material UL Recognized 105°C thermoplastic body
 Terminal screws #10-32 tin plated round washer head steel screws
 Terminals Brass, allows lugs up to 1/2" in width
 4, 6 and 8 pole configurations Shorting type with covers, knurled shorting screws and screw "Parking Stations"
 Surface Mounting Flat base for one piece terminal block replacement

ORDERING INFORMATION

CATALOG NO.	NUMBER OF POLES
IKU4SC	4
IKU6SC	6
IKU8SC	8

MODEL IKU MOUNTING, WIRING & DIMENSIONS (INCHES)



CAT. #	CKTS.	L	MOUNTING	
			D MIN.	D MAX.
IKU4SC	4	3.25	2.88	3.00
IKU6SC	6	4.50	4.12	4.25
IKU8SC	8	5.75	5.38	5.50

FLEX-CORE®
 Div. Morlan & Associates, Inc.
 6625 McVey Blvd. Columbus, Ohio 43235

WWW.FLEX-CORE.COM
 flexcore@msn.com

PHONE (614) 889-6152
 TECH. ASSISTANCE (614) 876-8308
 FAX # (614) 876-8538

ACCESSORIES