

# CURRENT TRANSDUCERS

## 3 IN 1 RMS CURRENT TRANSDUCER

MODEL 3CTR

### THREE RMS CURRENT TRANSDUCERS IN ONE ENCLOSURE

#### FEATURES

- Accurate measurement of the **true RMS** value of input signals over a wide frequency range.
- Accurate to 0.25% Full Scale
- Designed to withstand motor start-up transients.
- Input/output isolation.

INPUT	STANDARD OUTPUTS MODEL 3CTR-			
AC	0-1mA	4-20mA	0-10Vdc	0-5Vdc
0 to 1.0A	001B	001E	001D	001X5
0 to 5.0A	005B	005E	005D	005X5
0 to 10.0A	010B	010E	010D	010X5
0 to 15.0A	015B	015E	015D	015X5
0 to 20.0A	020B	020E	020D	020X5

#### ORDERING INFORMATION

Example: 5 Amp AC input  
with 0-10Vdc output.  
**3CTR-005D**

#### APPLICATIONS

- Designed for use in applications where measurement of nonsinusoidal waveforms is required.
- Designed for use on three-phase systems, but may also be used to monitor three single-phase circuits where panel space is limited.
- Use with current transformers for high current application.



Model 3CTR

### MODEL 3CTR SPECIFICATIONS

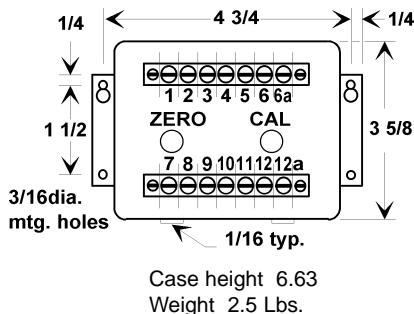
#### INPUT

Current ..... See tables  
 Frequency Range ..... 48 to 420 Hz.  
 Burden ..... 0.4VA F.S.  
 Current Overload  
 1-10A Range ..... 2 X F.S.(cont.)  
 15-20A Range ..... 1.25 X F.S.(cont.)  
 1A Range ..... 10A (10 sec. transient)  
 All other Ranges ..... 50A (10 sec. transient)  
 ..... 250A (1 sec. transient)  
 Dielectric Test ..... (Input/Output/Case) ..... 2500Vac

#### OUTPUT

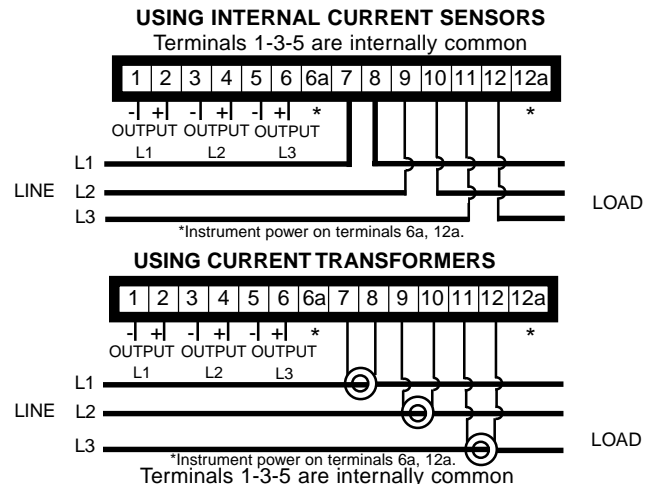
Output Ripple ..... Less than 1.0% F.S.  
 Response (90%) ..... 100 milliSeconds  
 Output Loading (OHMS)  
 0-1mA ..... 0-10K  
 0-10Vdc, 0-5Vdc ..... 2K min.  
 4-20mA ..... 0-500  
 Field Adjustable Cal. .... ±10%  
**ACCURACY** ..... **±0.25% F.S.** at 60Hz.  
 ..... Includes effects of linearity and setpoint.  
 ..... ±0.5% F.S. over frequency range  
 Temperature Effect .... (-20°C to 60°C) ..... ±1.0%Rdg.  
 Instrument Power (Std.)...85-265VAC, 48-420 Hz,5VA  
 or ..... 110-370Vdc,5VA

#### 3CTR CASE DIMENSIONS



ALL DIMENSIONS IN INCHES

#### 3CTR CONNECTION DIAGRAMS



**FLEX-CORE®**  
 Div. Morlan & Associates, Inc.  
 6625 McVey Blvd. Columbus, Ohio 43235

WWW.FLEX-CORE.COM  
 flexcore@msn.com

PHONE (614) 889-6152  
 TECH. ASSISTANCE (614) 876-8308  
 FAX # (614) 876-8538

CURRENT TRANSDUCERS