

CURRENT TRANSDUCERS

SPLIT-CORE DC CURRENT TRANSDUCER

MODEL CTU-20S

FEATURES

- 50 Times overload capabilities.
- Split-Core provides superior accuracy.
- Excellent linearity up to 100 Amperes.

APPLICATIONS

- Designed for low DC current applications.
- Large 1 inch opening for Ground fault detection.
- Split-Core provides easy installation.

ORDERING INFORMATION

Example: 0-20Dc Amps current input
with 0-2Dc volts output.
CTU-20S



MODEL CTU-20S SPECIFICATIONS

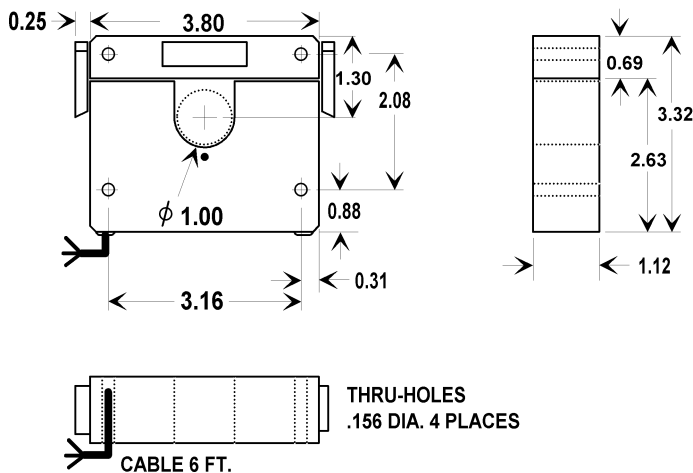
INPUT CURRENT

Nominal Unidirectional 0-20 amperes dc
 *Range 0-100 amperes dc
 Over Current ... without damage 1000 amperes
 Response to 90% 200 microsec.
 Dielectric Test
 Bare cable thru window to output 1500Vac
 Instrument Power required 10-28Vdc
 *NOTE.....Requires 15Vdc to 28Vdc Inst. Pwr. for 100A operation
 Instrument Current $\leq 20\text{mA}$ dc

OUTPUT

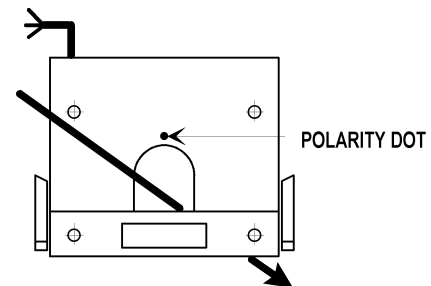
Sensitivity 0.1 volt per amp
 Calibration 0-20 ampere dc = 0-2Vdc
 Offset @ Zero current $\leq 0.30\text{V}$
 Linear Range 0-100 amperes
 Accuracy and Linearity .. 0.3 - 20 amps ... $\pm 1.5\%$ F.S.
 Linearity ... 0-100 amps $\pm 1\%$ F.S.
 Temperature Effect 0 to $+40^\circ\text{C}$ $\pm 1\%$
 -10 to $+60^\circ\text{C}$ $\pm 2\%$

CASE DIMENSIONS



ALL DIMENSIONS IN INCHES

CONNECTION DIAGRAMS



Red +V
 Black Common to Both
 Green Output

CURRENT TRANSDUCERS

FLEX-CORE®
 Div. Morlan & Associates, Inc.
 6625 McVey Blvd. Columbus, Ohio 43235

WWW.FLEX-CORE.COM
 flexcore@msn.com

PHONE (614) 889-6152
 TECH. ASSISTANCE (614) 876-8308
 FAX # (614) 876-8538