

CURRENT SWITCHES

AC CURRENT OPERATED SWITCH

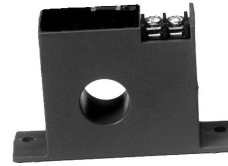
MODEL CS & SCS

FEATURES

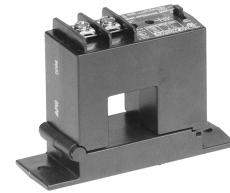
- Adjustable Setpoint
- Self-Powered
- Smart LED
- UL Listed
- Switches AC or DC

APPLICATION

- Monitor AC for fans, pumps, and other electrical equipment.
- Monitors VFD application to 6Hz.



Model CS-1150A-LED
(Solid-Core)



Model SCS-1150A-LED
(Split-Core)

SPECIFICATIONS

INPUT

Current Range	CS-1150A-LED	1-150A
	SCS-1150A-LED	1.75-150A
Trip Point Adjustment	CS-1150A-LED	15 Turns/Slip Clutch Pot
	SCS-1150A-LED	4 Turns/Slip Clutch Pot
Frequency		6-100Hz
Insulation		600Vac

OUTPUT

Solid State Switch	
Switch Rating	1 to 135Vac/DC
Current	
On-State	0.3 Amps Max.
Off-State	No Leakage

Temperature Range -50°C to +65°C

WIRING CONNECTIONS

- Input Install unit around current carrying cable.
Size
- | | |
|---------------------|----------------------|
| CS-1150A-LED | 0.75" Round Opening |
| SCS-1150A-LED | 0.85" Square Opening |
- Output Terminals
Screw type for #14 A.W.G. solid or stranded,
Tighten to 7in-Lbs. Torque

HOUSING

A.B.S. General Electric Cyclac Grade KJW-4051 U.L.
Flame Retardant Rating 94V-0. (Black)

SETUP & ADJUSTMENT

1. Install sensor over conductor and wire as shown in the connection diagram.
2. The sensor is shipped with the multi-turn adjustment set to the most sensitive position (CW). If the sensor now operates, turn the adjustment counter-clockwise (CCW) until the operation reverses. The smart LED will indicate this action.
3. Now turn the adjustment CW until the sensor just operates its controlled circuit. It is desirable to turn the adjustment slightly beyond this threshold point to provide a margin for normal current variations.
4. The smart LED eliminates the need for a voltmeter. The LED will switch from rapid to slow flashing when going below the trip point.

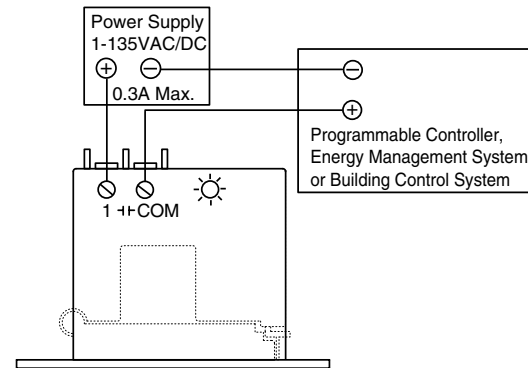
Note 1: For loads above highest range selection use an external current transformer with an appropriate ratio (I.E. 500:5), feed C.T. secondary one turn through window of unit.

Note 2: Locked rotor current of 2.5 times the range setting for longer than 5 seconds can damage the unit.

LED INDICATOR THE LED INDICATES THREE STATES

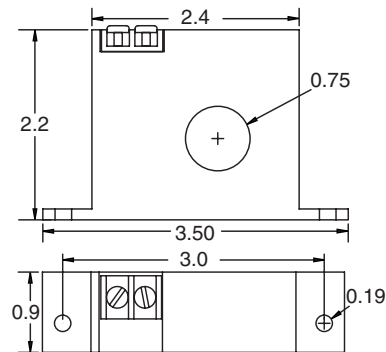
- | | |
|-------------------------|------------------------------------|
| 1. Rapid Flashing | Tripped |
| 2. Slow Flashing | Current Present but Below Setpoint |
| 3. No Flashing | Current Off or Below Bottom Range |

CONNECTION DIAGRAM

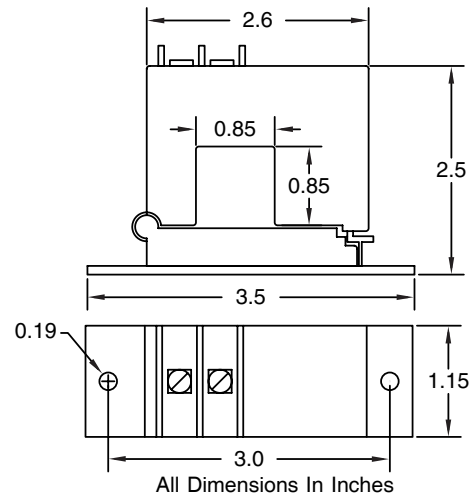


DIMENSIONS

Model CS-1150A-LED



Model SCS-1150A-LED



All Dimensions In Inches

FLEX-CORE®

Div. Morlan & Associates, Inc.

6625 McVey Blvd. Columbus, Ohio 43235

WWW.FLEX-CORE.COM

sales@flex-core.com

PHONE (614) 889-6152

TECH. ASSISTANCE (614) 876-8308

FAX # (614) 876-8538