

CURRENT TRANSDUCERS

SPLIT-CORE CURRENT TRANSFORMER/TRANSDUCER

MODEL **SCT**

CURRENT TRANSDUCERS

DESCRIPTION

The SCT is an integrated split-core current transformer and transducer which provides an output proportional to current ranges up to 500 amperes. The SCT has models which provide either a self-powered 0-1mA or 0-5Vdc or a loop-powered 4-20mA output.

The dc output is proportional to the average absolute value of the input and is calibrated to represent the RMS value. The SCT is capable of accurately measuring ac inputs from 50 to 400Hz.

FEATURES

- Insensitive to polarity.
- Split-Core design for easy installation.
- Accurate and reliable from 50 to 400Hz.

APPLICATIONS

- Designed for applications requiring accurate current measurements.



SCT

INPUT AC AMPS	MODEL SCT- STANDARD OUTPUTS		
	0-1mA*	4-20mA**	0-5Vdc*
0-50	050A	050E2	050CX5
0-100	100A	100E2	100CX5
0-200	200A	200E2	200CX5
0-300	300A	300E2	300CX5
0-400	400A	400E2	400CX5
0-500	500A	500E2	500CX5

ORDERING INFORMATION

Example: 100 Amp AC Input with
4-20mA Loop Powered Output
SCT-100E2



LISTED File E167120

- *0-1mA & 0-5Vdc self-powered from measured line.
- **4-20mA Loop-powered (15-40Vdc supply required)

SPECIFICATIONS

INPUT

Current See Table
Frequency Range 50 to 400Hz
Burden 0.5VA max.
Current overload 5 times rating for 10 sec./hr
Dielectric Test...(Input/Output/Case). 1800Vac

INSTRUMENT POWER

- *Self-Powered 1mA & 5Vdc Models
- **Loop-Powered 15-40Vdc supply required

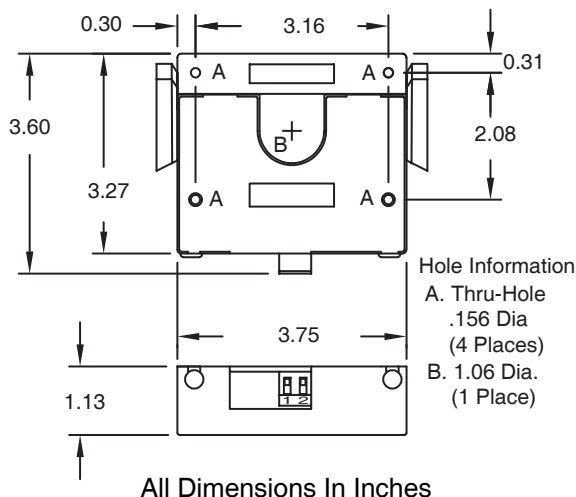
OUTPUT

Output Ripple < 0.5% F.S.
Response (90%) < 300 milliseconds
Output Loading (Ohms) 1mA 0-10K Ohms
5Vdc > 100K Ohms
4-20mA 0-500 Ohms

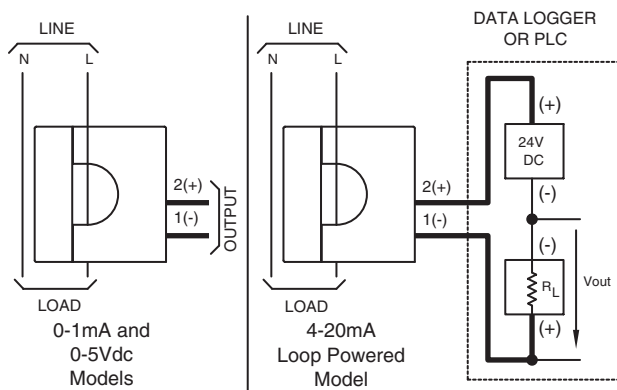
ACCURACY (25° C, 60Hz) + 0.5 % F.S.
(All conditions) + 0.7 % F.S.

Temperature Range -20° to 60° C
Net Weight 1.0 Lb.

CASE DIMENSIONS



CONNECTION DIAGRAMS



FLEX-CORE®

Div. Morlan & Associates, Inc.

6625 McVey Blvd. Columbus, Ohio 43235

WWW.FLEX-CORE.COM

sales@flex-core.com

PHONE (614) 889-6152

TECH. ASSISTANCE (614) 876-8308

FAX # (614) 876-8538