

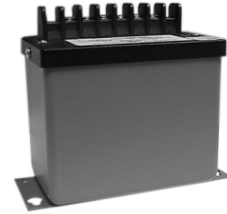
SIGNAL CONDITIONERS

PROCESS SIGNAL CONDITIONERS

MODEL SG

FEATURES

The family of SG Process Signal conditioners provide an isolated linear output signal from a standard or non-standard input process signal.



MODEL SELECTION

SG - □ - □ - □ □

RATED INPUT	RATED OUTPUT	INSTRUMENT POWER	OPTION
(1) 0-1mA _{dc}	(01) 0-1mA _{dc}	(H) 115Vac	(Blank) +10%, Output Span ADJ
(2) 0-10V _{dc}	(02) 0-10V _{dc}	** (G) 220Vac	+1% Zero ADJ
(3) 0-5V _{dc}	(03) 0-5V _{dc}		(1) 50% Output Span ADJ
(4) 1-5V _{dc}	(04) 1-5V _{dc}		(2) +10% Span ADJ
(5) 0-20mA _{dc}	(05) 0-20mA _{dc}		50% Zero Output ADJ
(6) 4-20mA _{dc}	(06) 4-20mA _{dc}		(3) 50% Output Zero ADJ
(7) 20-4mA _{dc}	(07) 0-5mA _{dc}		and Span ADJ
(8) 10-50mA _{dc}	(08) 4-20mA loop powered		
	(09) 4-12-20mA _{dc}		

ORDERING INFORMATION

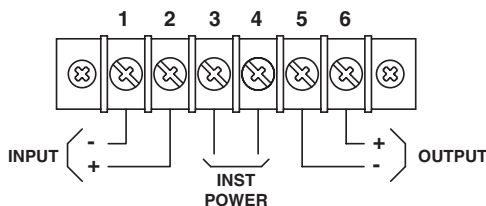
Example:
4-20mA_{dc} Input
and 0-1mA_{dc}
Output, 115Vac
Instrument Power.
SG-6-01-H

SPECIFICATIONS

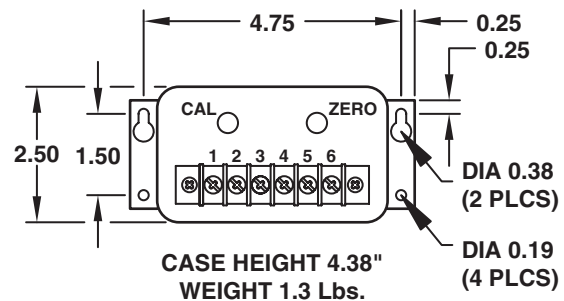
INPUT See Table
 Burden (Ohms)
 1mA 1K
 5V, 10V, 1-5V, 50mV, 100mV min. 100K
 20mA 250
 50mA 100
 Overrange 2 X rated input.
 Response Time 1 millisecond
 Dielectric Test ... (Input to Output) 1000V_{dc}
 (Input/Output to Inst. Pwr.) 1500V_{dc}
 Instrument Power 95-135Vac, 50-400Hz, 3.5VA
 **Optional 220Vac, 50-60Hz
 Termination #14 AWG max.

OUTPUT
ACCURACY ... (Set Point) + 0.25% F.S.
(Linearity) + 0.1% F.S.
 Load on Output (Ohms)
 1mA 0-10K
 5mA 0-2.4K
 5V, 10V >2K
 1-5V >2K
 20mA 0-600
 Response Time 10 milliseconds
 Ripple < +0.5% F.S.
 Temperature Range -20°C to +65°C
 Temperature Effect +0.01%/°C

CONNECTIONS



CASE DIMENSIONS



All Dimensions In Inches

FLEX-CORE®

Div. Morlan & Associates, Inc.

6625 McVey Blvd. Columbus, Ohio 43235

WWW.FLEX-CORE.COM

sales@flex-core.com

PHONE (614) 889-6152

TECH. ASSISTANCE (614) 876-8308

FAX # (614) 876-8538