

CURRENT SWITCHES

AC CURRENT OPERATED SWITCH

MODELS CS, SCS

FEATURES

- Adjustable Set Point
- Self-Powered
- Smart LED
- UL Listed
- Switches AC or DC

APPLICATIONS

- Monitor AC for fans, pumps, and other electrical equipment.
- Monitors VFD application to 6Hz



Model CS-1150A-LED
(Solid-Core)



Model SCS-1150A-LED
(Split-Core)

SPECIFICATIONS

INPUT

Current Range	
CS-1150A-LED.....	1-150A
SCS-1150A-LED.....	1.75-150A
Trip Point Adjustment	
CS-1150A-LED.....	15 Turns/Slip Clutch Pot
SCS-1150A-LED.....	4 Turns/Slip Clutch Pot
Frequency.....	6-100Hz
Insulation.....	600Vac

OUTPUT

Solid State Switch	
Switch Rating.....	0.3A @ 135Vac or Vdc
Current	
On-State.....	0.3 Amps Max.
Off-State.....	<10µA
Temperature Range.....	-20°C to +50°C

WIRING CONNECTIONS

- Input..... Install unit around current carrying cable.
Size
- | | |
|--------------------|----------------------|
| CS-1150A-LED..... | 0.75" Round Opening |
| SCS-1150A-LED..... | 0.85" Square Opening |
- Output Terminals
Screw type for 14 AWG solid or stranded,
Tighten to 5 in-lbs. Torque

HOUSING

- A.B.S. General Electric Cyclocac Grade KJW-4051
- U.L. Flame Retardant Rating 94V-0. (Black)

SETUP & ADJUSTMENT

1. Install sensor over conductor and wire as shown in the connection diagram.
2. The sensor is shipped with the multi-turn adjustment set to the most sensitive position (CW). If the sensor now operates, turn the adjustment counter-clockwise (CCW) until the operation reverses. The smart LED will indicate this action.
3. Now turn the adjustment CW until the sensor just operates its controlled circuit. It is desirable to turn the adjustment slightly beyond this threshold point to provide a margin for normal current variations.
4. The smart LED eliminates the need for a voltmeter. The LED will switch from rapid to slow flashing when going below the trip point.

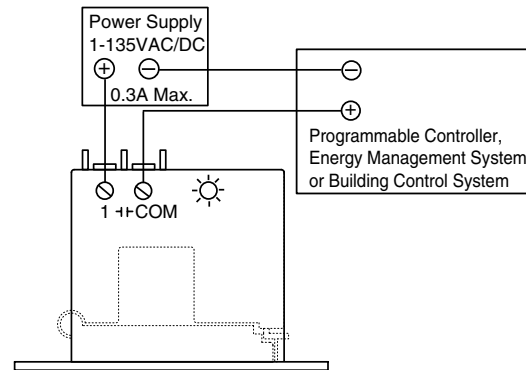
Note 1: For loads above highest range selection use an external current transformer with an appropriate ratio (I.E. 500:5), feed C.T. secondary one turn through window of unit.

Note 2: Locked rotor current of 2.5 times the range setting for longer than 5 seconds can damage the unit.

LED INDICATOR THE LED INDICATES THREE STATES

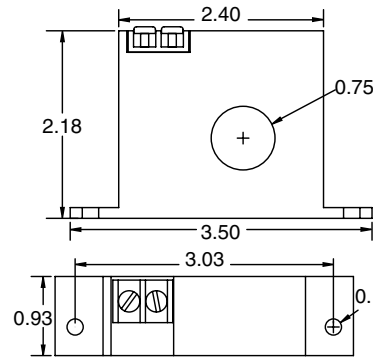
1. Rapid Flashing..... Tripped
2. Slow Flashing..... Current Present but Below Set point
3. No Flashing..... Current Off or Below Bottom Range

CONNECTION DIAGRAM



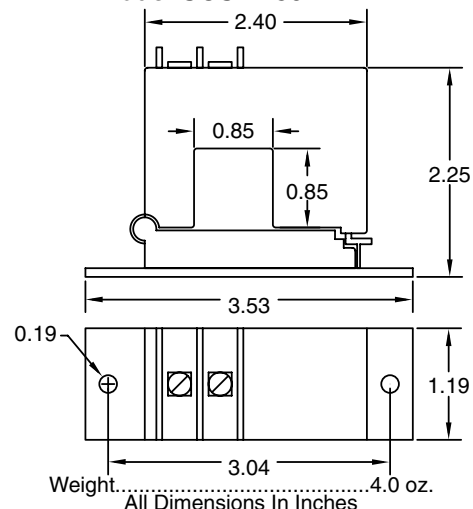
DIMENSIONS

Model CS-1150A-LED



Weight.....2.9 oz.

Model SCS-1150A-LED



Weight.....4.0 oz.
All Dimensions In Inches

CURRENT SWITCHES

FLEX-CORE®

Div. Morlan & Associates, Inc.
4970 Scioto Darby Rd. Hilliard, Ohio 43026

WWW.FLEX-CORE.COM

sales@flex-core.com

PHONE (614) 889-6152

TECH. ASSISTANCE (614) 876-8308

FAX # (614) 876-8538