

CURRENT TRANSFORMERS

SOLID CORE CURRENT TRANSFORMER MODELS 58RBL, 7RBL, 76RBL

600V CLASS

FEATURES

- Flexible leads are UL1015 105°C CSA approved.
- Mounting brackets installed.

APPLICATIONS

- For use with Watt and Watt/Watt Hour transducers or meters.
- Ideal for use with Ammeters and Current Transducers.

SPECIFICATIONS

Frequency..... 50 to 400Hz
 Insulation Class0.6kV, 10kV BIL Full Wave
 Leads..... UL1015 105°C CSA approved, 16 AWG, 24"

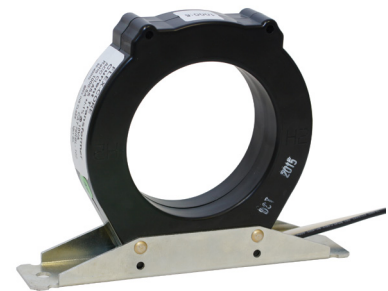
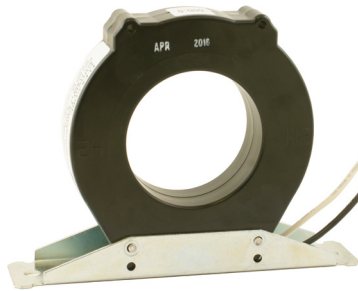
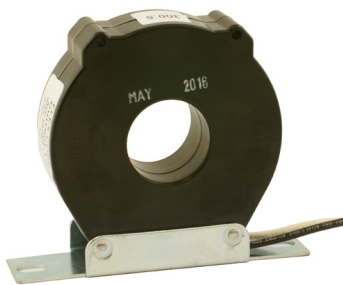
UL 238872 **CSA** 245941

All models on this page UL recognized

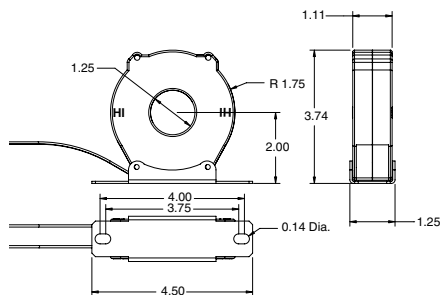


MADE IN U.S.A.

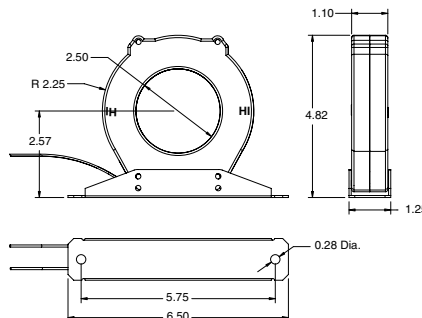
CATALOG NUMBER	CURRENT RATIO	ACCURACY AT 60Hz (%)	BURDEN AT 60Hz (VA)	WT. (LBS)	CONTINUOUS RATING FACTOR @ 30°C
58RBL-500	50:5	3.0	1.5	1.22	2.00
58RBL-101	100:5	1.5	5.0	1.28	2.00
58RBL-151	150:5	1.0	7.5	1.35	1.50
58RBL-201	200:5	1.0	12.5	1.37	1.50
58RBL-251	250:5	1.0	12.5	1.39	2.00
58RBL-301	300:5	1.0	15.0	1.41	2.00
7RBL-401	400:5	1.0	15.0	1.47	2.00
7RBL-501	500:5	1.0	25.0	1.53	2.00
7RBL-601	600:5	1.0	30.0	1.59	1.50
7RBL-801	800:5	1.0	35.0	1.61	1.33
76RBL-102	1000:5	1.0	10.0	0.65	1.00
76RBL-122	1200:5	1.0	10.0	0.73	1.00
76RBL-152	1500:5	1.0	12.5	0.86	1.00
76RBL-202	2000:5	1.0	15.0	1.10	1.00



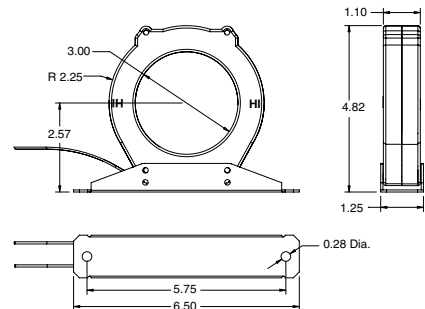
MODEL 58RBL



MODEL 7RBL



MODEL 76RBL



All Dimensions In Inches

FLEX-CORE®

Div. Morlan & Associates, Inc.

4970 Scioto Darby Rd. Hilliard, Ohio 43026

WWW.FLEX-CORE.COM

sales@flex-core.com

PHONE (614) 889-6152

TECH. ASSISTANCE (614) 876-8308

FAX # (614) 876-8538