

CURRENT TRANSFORMERS

METERING CLASS CURRENT TRANSFORMER

MODELS 19SHT, 19RL

FEATURES

- Metering Applications
- UL Recognized
- Window I.D. - 4.25"

600V CLASS

SPECIFICATIONS

Frequency 50-400Hz
 Insulation Class 0.6kV, 10kV BIL Full Wave
 Terminals Brass Studs No. 8-32 UNC with one flat washer, lock washer and regular nut. (Model 19SHT)
 Leads 16 AWG, 24" long, UL105°C (Model 19RL)
 Weight Approximately 3 Lbs.
 Optional Mounting Bracket (19SHT) P/N 0221B00183
 Optional Bus Bar Mounting Kit (19RL) P/N 0221A26075
 Manufactured to meet the requirements of ANSI/IEEE C57.13



19RL 19SHT

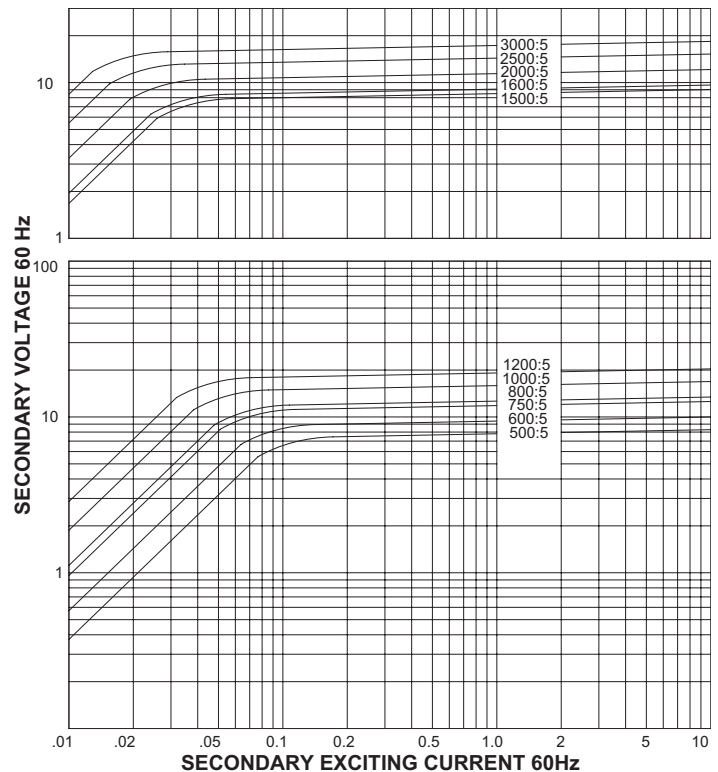
MADE IN U.S.A.

usE238872 245941

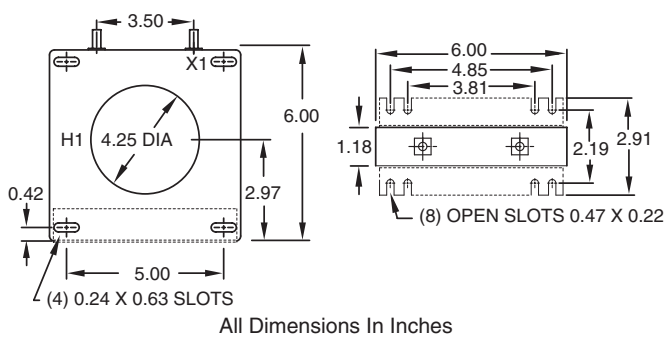
APPLICATION AND ORDERING DATA

CATALOG NUMBER	CATALOG NUMBER	CURRENT RATIO	V.A. FOR ± 1% CLASS	ANSI METERING CLASS AT 60Hz				SECONDARY WINDING RESISTANCE (Ω @ 75°C)	CONTINUOUS THERMAL RATING FACTOR	
				B0.1	B0.2	B0.5	B0.9		@30°C	@55°C
19SHT-501	19RL-501	500:5	15.0	0.3	0.6	1.2	--	0.087	2.0	1.5
19SHT-601	19RL-601	600:5	15.0	0.3	0.6	0.6	1.2	0.116	2.0	1.5
19SHT-801	19RL-801	800:5	30.0	0.3	0.3	0.6	0.6	0.155	1.5	1.33
19SHT-102	19RL-102	1000:5	30.0	0.3	0.3	0.6	0.6	0.242	1.33	1.0
19SHT-122	19RL-122	1200:5	40.0	0.3	0.3	0.3	0.6	0.291	1.33	1.0
19SHT-152	19RL-152	1500:5	15.0	0.3	0.3	0.6	1.2	0.200	1.5	1.0
19SHT-162	19RL-162	1600:5	15.0	0.3	0.3	0.3	0.6	0.213	1.5	1.0
19SHT-202	19RL-202	2000:5	20.0	0.3	0.3	0.3	0.6	0.266	1.33	1.0
19SHT-252	19RL-252	2500:5	20.0	0.3	0.3	0.3	0.3	0.333	1.0	0.8
19SHT-302	19RL-302	3000:5	25.0	0.3	0.3	0.3	0.3	0.399	1.0	0.8

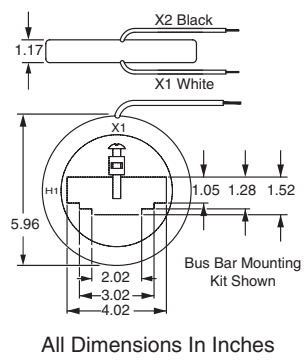
EXCITATION CURVE



MODEL 19SHT DIMENSIONS



MODEL 19RL DIMENSIONS



FLEX-CORE®
 Div. Morlan & Associates, Inc.
 4970 Scioto Darby Rd. Hilliard, Ohio 43026

WWW.FLEX-CORE.COM
 sales@flex-core.com

PHONE (614) 889-6152
 TECH. ASSISTANCE (614) 876-8308
 FAX # (614) 876-8538