

CURRENT TRANSFORMERS

CURRENT TRANSFORMER

MODEL JAK-0C

APPLICATIONS

Designed for indoor/outdoor* service. Suitable for operating meters and instruments, on both single phase two-wire circuits and polyphase circuits. Outdoor type can be offered as an option.

SPECIFICATIONS

IEEE Meter Accuracy Class, 60Hz ... 0.3% class from B0.1 to the burdens shown in the table.

Insulation Class 0.6kV, 10kV BIL Full Wave Weight

Window-Type Transformer Approximately 13 Lbs.

Primary Bar-Type Transformer... Approximately 16 Lbs.

Terminals Tin plated brass 1/4-28 clamp type**

600V CLASS



JAK-0C



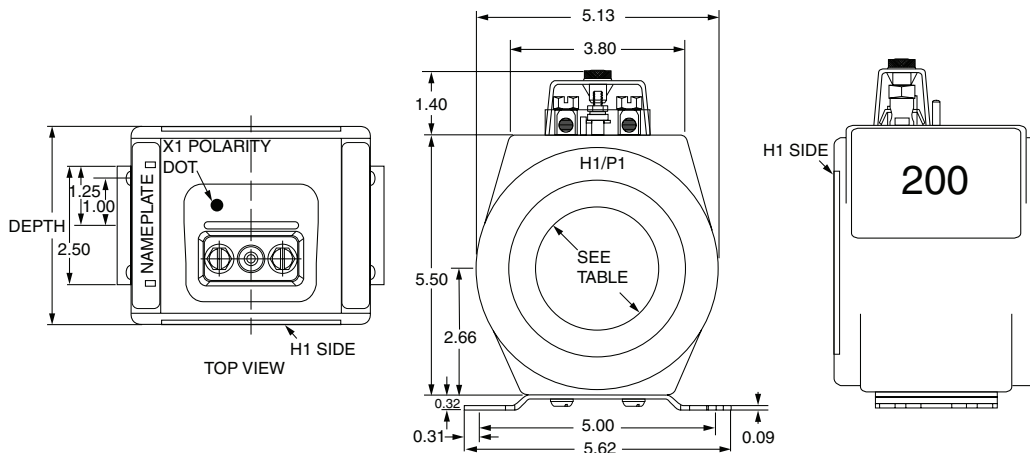
JAK-0C With Busbar

APPLICATION AND ORDERING DATA

CATALOG NUMBER	11.88" PRIMARY BAR ASSEMBLY	CURRENT RATIO (AMPS) PRI:SEC	CONTINUOUS THERMAL RATING FACTOR		WINDOW I.D. (INCHES)	DEPTH	BURDEN
			@30°C	@55°C			
WINDOW-TYPE, SINGLE RATIO							
750X133645	0821C34762-7	100:5	4.0	4.0	1.50	4.20	B0.2
750X133311	0821C34762-5	200:5	4.0	4.0	2.60	4.20	B0.5
750X133312	0821C34762-9	***300:5	4.0	2.9	3.062	5.00	B0.5
750X133313	0821C34762-4	400:5	4.0	2.9	3.062	4.20	B0.5
750X133314	0821C34762-6	500:5	3.0	2.4	3.062	2.63	B0.5
750X133315	0821C34762-6	600:5	2.0	1.8	3.062	2.63	B0.5
750X133316	0821C34762-6	800:5	2.0	1.5	3.062	2.63	B0.5
750X133547	0821C34762-13	1000:5	2.0	1.5	3.062	2.63	B0.5
750X133501	0821C34762-13	1200:5	1.5	1.1	3.062	2.63	B1.8
750X133505	0821C34762-18	1500:5	1.5	1.1	3.062	2.63	B1.8
750X133509	0821C34762-13	2000:5	1.0	0.7	3.062	2.63	B1.8

***Available only in 5" depth

DIMENSIONS



*Unit with watertight conduit box is available.

**Torque terminals to: 30 INCH-LBS.

FLEX-CORE®

Div. Morlan & Associates, Inc.

4970 Scioto Darby Rd. Hilliard, Ohio 43026

WWW.FLEX-CORE.COM

sales@flex-core.com

PHONE (614) 889-6152

TECH. ASSISTANCE (614) 876-8308

FAX # (614) 876-8538