

CURRENT TRANSFORMERS

SPLIT CORE CURRENT TRANSFORMER

MODEL LN4F

High Accuracy Revenue Grade Split Core Current Transformer

DESCRIPTION

The split core CTs are compact current transformers with high accuracy. The CTs are ideal for quick and easy installation without disconnecting cables during installation. Multiple installation mechanisms provide stable and durable current measurement.

FEATURES

- 333mV Output, Class 0.2 Accuracy
- Simple take apart style
- Can be installed on cable or bus
- 1.25"X1.33" window size
- Listed to UL2808, 61010-1, and CSA 22.2

SPECIFICATIONS

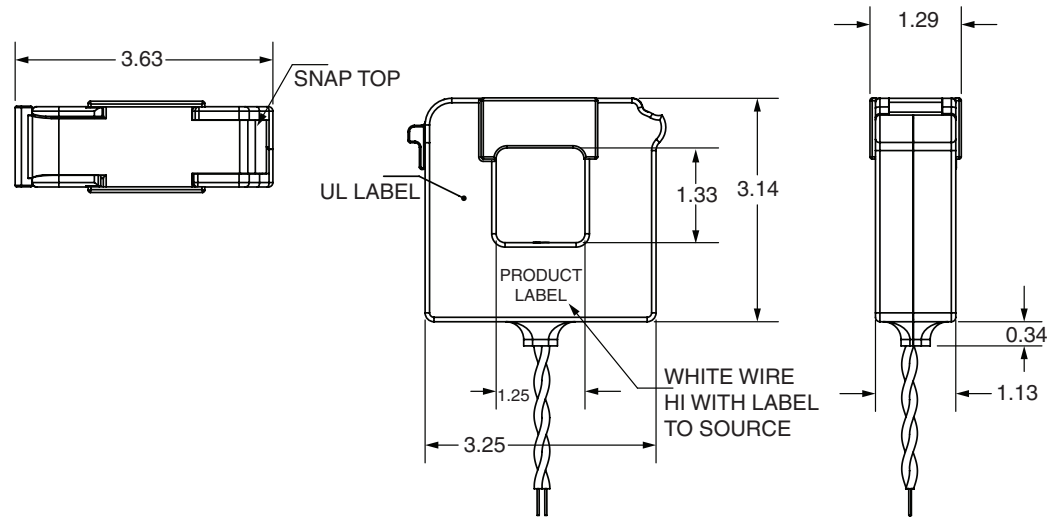
Rated Primary Current 100A to 400A
 Rated Output 333mV
 Rating Factor 1.33 @ 30°C Ambient
 Voltage Rating 600Vac, rated CAT III
 Operating Ambient Temperature..... -40°C to 55°C
 Accuracy IEC60044-1 0.2 Class
 Leads 8' 18AWG Twisted
 Weight 1.25 Lbs.

600V CLASS



CATALOG NUMBER	ACCURACY	INPUT RATING	OUTPUT
LN4F-100A-333mV-1.25	0.2	100A	0.333Vac
LN4F-150A-333mV-1.25	0.2	150A	0.333Vac
LN4F-200A-333mV-1.25	0.2	200A	0.333Vac
LN4F-250A-333mV-1.25	0.2	250A	0.333Vac
LN4F-300A-333mV-1.25	0.2	300A	0.333Vac
LN4F-400A-333mV-1.25	0.2	400A	0.333Vac

DIMENSIONS



All Dimensions In Inches

FLEX-CORE® Div. Morlan & Associates, Inc. 4970 Scioto Darby Rd. Hilliard, Ohio 43026	WWW.FLEX-CORE.COM sales@flex-core.com	PHONE (614) 889-6152 TECH. ASSISTANCE (614) 876-8308 FAX # (614) 876-8538
---	---	---