

# CURRENT TRANSFORMERS

## BAR TYPE CURRENT TRANSFORMER

MODEL CTM-0C

### SPECIFICATIONS

### 600V CLASS

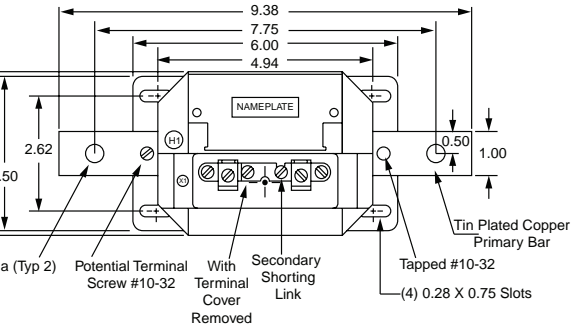
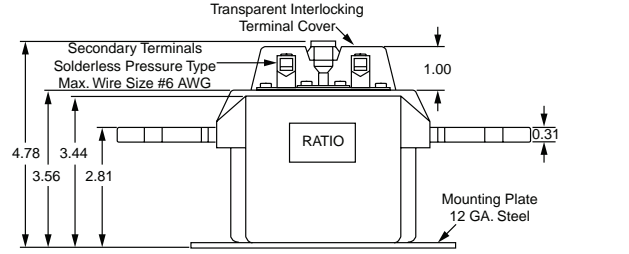
Designed for indoor service.  
 Suitable for operating meters, instruments, relays and control devices.  
 Weight ..... Approximately 7 Lbs.  
 Insulation Level..... 0.6kV, 10kV BIL Full Wave  
 Frequency..... 60Hz  
 Manufactured to meet the requirements of ANSI/IEEE C57.13



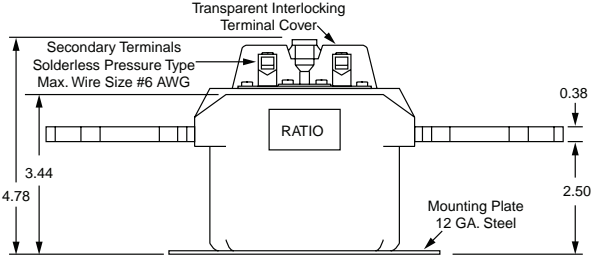
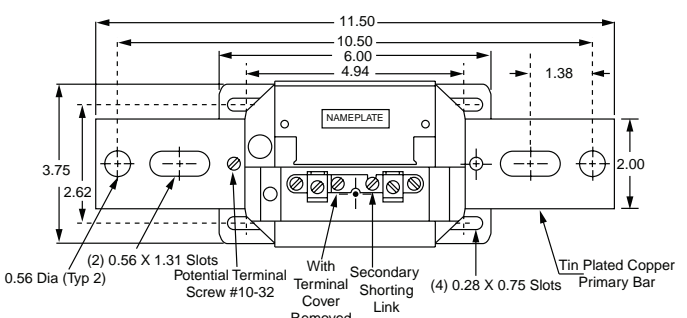
CTM-0C SINGLE BAR DATA TABLE				
CATALOG NUMBER	CURRENT RATIO (AMPS) PRI:SEC	IEEE ACCURACY CLASS, 60HZ BURDEN PER IEEE B0.1 TO B0.9	CONTINUOUS THERMAL CURRENT RATING FACTOR @30°C AMB.	APPROVAL NUMBER FROM CCAC
430-001	5:5*	0.3	1.5	-
430-002	10:5*	0.3	1.5	-
430-003	15:5*	0.3	1.5	-
430-004	20:5*	0.3	1.5	-
430-005	25:5*	0.3	1.5	-
430-006	30:5*	0.3	1.5	-
430-007	40:5*	0.3	1.5	-
430-008	50:5	0.3	1.5	T172-1
430-009	60:5	0.3	1.5	T172-1
430-010	75:5	0.3	1.5	T172-1
430-011	100:5	0.3	1.5	T172-1
430-012	150:5	0.3	1.5	T172-1
430-013	200:5	0.3	1.5	T172-1
430-014	250:5	0.3	1.5	T172-1
430-015	300:5	0.3	1.5	T172-1
430-016	400:5	0.3	1.5	T172
430-017	500:5*	0.3	1.5	T-253
430-018	600:5*	0.3	1.5	T-253
430-019	800:5*	0.3	1.5	T-253
430-020	1000:5*	0.3	1.2	T-253
430-021	1200:5*	0.3	1.0	T-253

\*For these models please contact factory for availability and approval number from CCAC for revenue metering application.  
 NOTE: DUAL BAR MODELS AVAILABLE

### DIMENSIONS



CURRENT RATIO FROM 5:5 TO 400:5



CURRENT RATIO > 400:5

All Dimensions In Inches

**FLEX-CORE®**  
 Div. Morlan & Associates, Inc.  
 4970 Scioto Darby Rd. Hilliard, Ohio 43026

**WWW.FLEX-CORE.COM**  
 sales@flex-core.com

**PHONE** (614) 889-6152  
**TECH. ASSISTANCE** (614) 876-8308  
**FAX #** (614) 876-8538