

DIGITAL PANEL METERS

DIGITAL PANEL METER

MODEL DL-40PSF

Intelligent Digital Meter Relay for Monitoring, Measurement, and Control Applications

FEATURES

- Inputs Over 22 Input Modules
- Outputs Up to four 5A 240Vac Form A Relays (16 Bit) 0-10V or 4-20mA Isolated Output (User scalable)
- Accuracy $\pm 0.05\%$ of reading, ± 2 digit
- Inst. Power 85-265Vac/95-370Vdc Or 15-48Vac/10-72Vdc
- Output Control..... Timed On/Off or High/Low
- Enclosure 1/8 DIN CASE
- Screw Terminal Adapter..... Included for inputs and power.
- Weight Approximately 1 lb.
- LED display -1999 to +9999
7 Segment, 0.56", 4 Digit or optional..... 0.8" or Super Bright



Program Button: This button is used to move from one program step to the next. When used simultaneously with the UP ARROW button, it initiates the Programming mode. When used simultaneously with the DOWN ARROW button, it initiates the Set point Program Mode.

Up Arrow: Increases the value of the displayed parameter.

Down Arrow: Decreases the value of the displayed parameter.

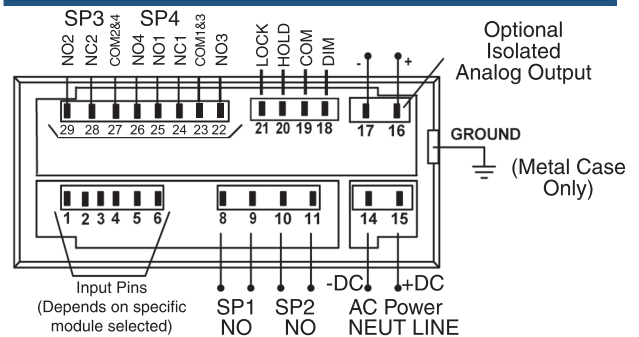
Annunciator: May be programmed to indicate the set point status of up to 4 parameters.

ORDERING SPECIFICATIONS

Base Meter Model DL-40PSF	Dis.	P.S.	Input	Output
Complete Meter, Order:	DL-40PSF	-XX	-XXX	-XXX
Display				
None		xxx		
Red LED, 0.56" High		DR		
Green LED, 0.56" High		DG		
Super-Bright LED, 0.56" High		DB		
Large Red LED, 0.8" High		LR		
Large Green LED, 0.8" High		LG		
Power Supply				
None		XXX		
85-265VAC/95-370Vdc		PS1		
18-48VAC/10-72Vdc		PS2		
Input Modules				
None			XX	
AC-Volts Scaled RMS, 200/600V AC			IA01	
AC-Volts Scaled RMS, 200mV/2V/20V AC			IA02	
AC-mA Scaled RMS, 2/20/200mA AC			IA03	
AC-Amps Scaled RMS, 0-1 Amp AC (0-100.0)			IA04	
AC-Amps Scaled RMS, 0-5 Amp AC (0-100.0)			IA05	
AC-Volts True RMS, 200/600V AC			IA06	
AC-Volts True RMS, 200mV/2V/20V AC			IA07	
AC-mA True RMS, 2/20/200mA AC			IA08	
AC-Amps True RMS, 0-1 Amp AC (0-100.0)			IA09	
AC-Millivolt, Scaled RMS, 100mV AC			IA10	
AC-Amps True Rms, 0-5 Amp AC (0-100.0)			IA11	
DC-Volts, 2/20/200V/Custom w/24V DC Exc.			ID01	
DC-Millivolt, 20/50/100/200mV DC w/24V DC Exc.			ID02	
DC-MilliAmp, 2/20/200mA DC w/24V DC Exc.			ID03	
DC-Amps, 5A DC			ID04	
DC-Volts, 2/20/200/custom V DC w/offset and 24V Exc.			ID05	
DC-Amps, 1A DC			ID09	
Process Loop, 4-20mA (0-100.0)			IP01	
Process Loop, 4-20mA (0-100.0) w/24V DC Exc.			IP02	
Process Input, 1-5VDC = (0-100.0) w/offset, 24V Exc.			IP03	
Universal Process 2V/5V/10V/20V/200V/2mA/20mA/custom			IP07	
Prototype Bare Board for Customer Design			IPT1	

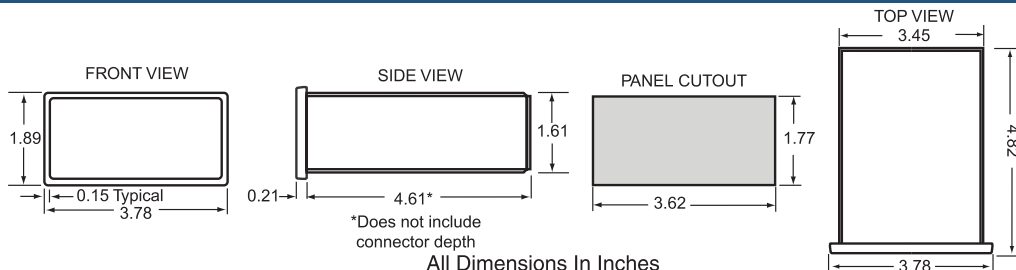
Output Option	Dis.	P.S.	Input	Output
None				XX
Single 5A Form-A Relay				R1
Dual 5A/240Vac Form A Relays				R2
Dual 10A Form C Relays				OR12
Dual 10A Form C & Dual 5A Form A Relays				OR14
Isolated 16 Bit Current Output, 4-20mA				AIC
Isolated 16 Bit Current Output, 0-10Vdc				AIV
Options (Add to Price of Meter)				
Bezel Scaling for Single Input				CS-4
NEMA 4 Clear Lockable Cover				OP-N4X/96X48
Metal Surround for Case				OP-MTL96X48
Mount Clips (2pc.) for Thin Panels				OP-MTLCLIP
High Strength Panel Mounting Adapter				OP-PMA96X48
Dimensions				
Meter Case				Width 3.45" (95.4mm) Height 1.6" (41.1mm) Max. Depth 4.61" (117mm)
Bezel Dimensions				3.78" X 1.89" (96 X 48mm)
Panel Cutout Size				3.62" X 1.77" (92 X 45mm)

CONNECTOR PINOUTS



Auto-sensing AC/DC power supply. For voltages between 85-265Vac/95-370 Vdc (PS1) or 15-48Vac / 10-72 Vdc (PS2)

DIMENSIONS



FLEX-CORE®

Div. Morlan & Associates, Inc.

4970 Scioto Darby Rd. Hilliard, Ohio 43026

WWW.FLEX-CORE.COM

sales@flex-core.com

PHONE (614) 889-6152

TECH. ASSISTANCE (614) 876-8308

FAX # (614) 876-8538