

CURRENT TRANSDUCERS

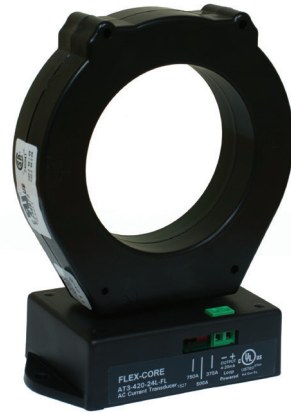
AC CURRENT TRANSDUCER/TRANSFORMER MODELS AT, ATR(3,4)

DESCRIPTION

- The AT/ATR(3,4) Series AC High Current Transducers with Current Output can be used to directly monitor up to 2000A without requiring an additional current transformer. The output from these transducers is a 4-20mA signal.

FEATURES

- Eliminates the need for a current transformer
- Large 3" aperture to accommodate large conductors or wire bundles.
- Loop-powered 4-20mA output
- Multi range input eliminates zero and span adjustments
- Easy installation with integral mounting brackets
- Average RMS (AT Models)
- True RMS (ATR Models)



SPECIFICATIONS

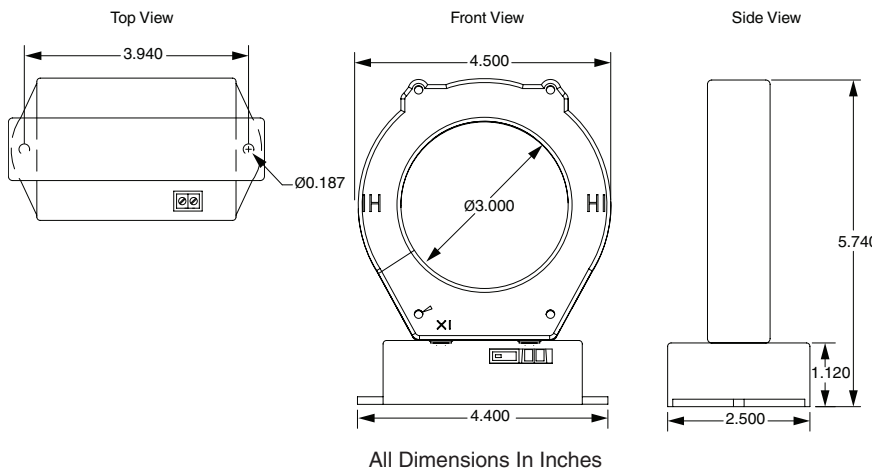
Output..... 4-20mA, Loop-Powered
 Supply Voltage..... 24-40Vdc
 Output Load..... 600Ω Max @24Vdc
 $R_{max} = (V \text{ supply} - 12) / 0.020$
 Accuracy..... 1.0% F.S.
 Frequency..... (AT: 50-60Hz) (ATR: 10-400Hz)
 Response Time..... 600ms to 90% of step change
 Case UL 94V-O flammability rated thermoplastic
 Weight 1.3 Lbs.
 Insulation Class 600Vac
 Over Range Limit.... Sensor Self-Limits to 23mA Output
 Termination.....Screw Terminals

Note: The AT models are average responding. The ATR models are variable frequency integration models for monitoring the load side of a VFD or distorted AC waveforms.

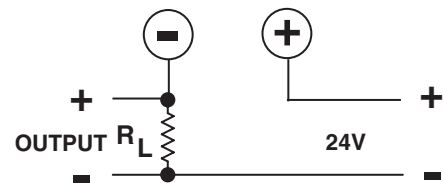
CATALOG NUMBER	ORDERING INFORMATION
AT3-420-24L-FL ATR3-420-24L-FL	Solid Core High Current Transducer 0-750A , 4-20mA Output
AT4-420-24L-FL ATR4-420-24L-FL	Solid Core High Current Transducer 0-2000A , 4-20mA Output

MODEL	RANGE	SWITCH POSITION	MAX CONT	MAX FOR 6 SEC	MAX FOR 1 SEC
			(Amps)		
AT3 ATR3	0-375	375	750	1500	3750
	0-500	500			
	0-750	750			
AT4 ATR4	0-1000	1000	2000	4000	10,000
	0-1333	1333			
	0-2000	2000			

DIMENSIONS



CONNECTIONS



CURRENT TRANSDUCERS

FLEX-CORE®
 Div. Morlan & Associates, Inc.
 4970 Scioto Darby Rd. Hilliard, Ohio 43026

WWW.FLEX-CORE.COM
 sales@flex-core.com

PHONE (614) 889-6152
 TECH. ASSISTANCE (614) 876-8308
 FAX # (614) 876-8538