

CURRENT TRANSFORMERS

METERING CLASS CURRENT TRANSFORMER MODELS 191I, 194I, 19SHTI

FEATURES

- For use with Watt, Var, Watt/Var, Watt/Watthour Transducers, Meters and Relays
- Meets ANSI specifications for sub-metering applications.
- UL Recognized.
- 0.2% metering accuracy.

SPECIFICATIONS

Frequency..... 50 to 400Hz
 Insulation Class 0.6kV, 10kV BIL Full Wave
 Terminals Brass Studs No. 8-32 UNC with one flat washer, lock washer and regular nut.
 Mounting Bracket..... P/N 0221B00777(191I & 194I)
 P/N 0221B00183(19SHTI)
 Manufactured to meet the metering requirements of IEC

ACCURATE TO 0.2%

600V CLASS

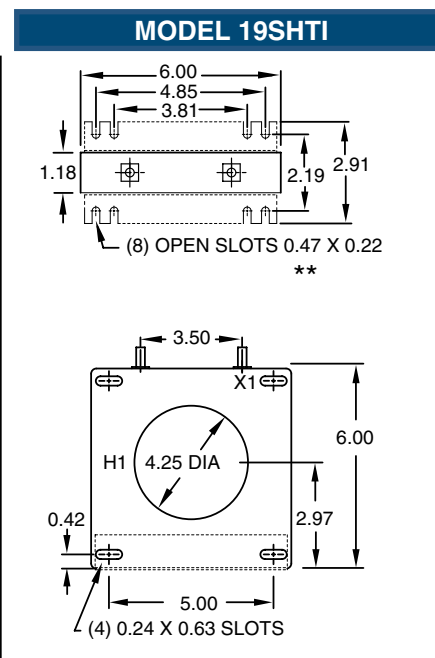
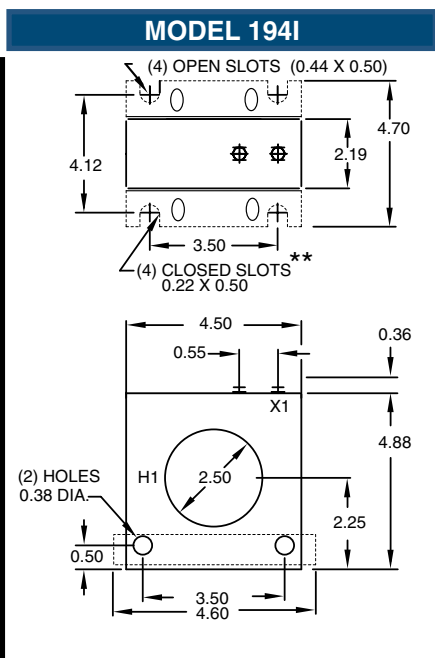
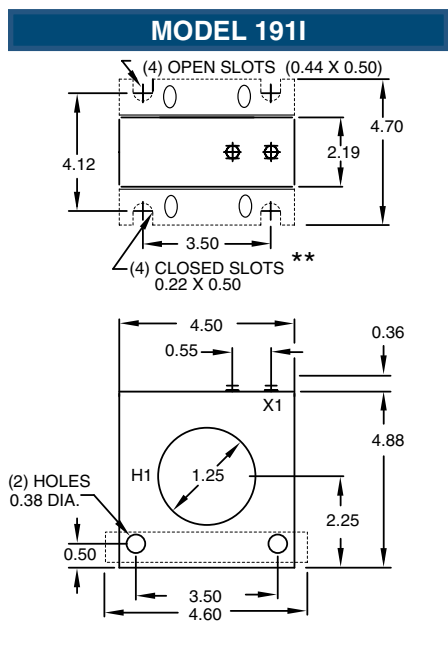


191I
 194I
 19SHTI

UL® US E238872
 SP® 245941
 MADE IN U.S.A.

RoHS COMPLIANT

APPLICATION AND ORDERING DATA								
MODEL NUMBER	CURRENT RATIO	ACCURACY	VA RATING	RELAY CLASS	SECONDARY WINDING RESISTANCE	CONTINUOUS THERMAL RATING FACTOR		WEIGHT (Lbs.)
						@ 30°C	@ 55°C	
191I-201	200:5	0.2%	1	C10	0.068	2.00	2.00	5.5
191I-251	250:5	0.2%	2	C20	0.085	2.00	1.50	5.5
191I-301	300:5	0.2%	4	C20	0.126	1.50	1.33	5.5
191I-401	400:5	0.2%	5	C20	0.189	1.50	1.00	5.5
194I-301	300:5	0.2%	1	-	0.101	2.00	1.50	3.5
194I-401	400:5	0.2%	2.5	C10	0.104	2.00	1.50	3.5
194I-501	500:5	0.2%	5	C10	0.133	1.50	1.00	3.5
194I-601	600:5	0.2%	5	C10	0.180	1.50	1.00	3.5
194I-801	800:5	0.2%	10	C10	0.302	1.00	0.80	3.5
19SHTI-801	800:5	0.2%	7	-	0.155	1.50	1.33	3.0
19SHTI-102	1000:5	0.2%	8	-	0.242	1.33	1.00	3.0
19SHTI-122	1200:5	0.2%	10	-	0.291	1.33	1.00	3.0
19SHTI-152	1500:5	0.2%	4	-	0.200	1.50	1.00	3.0
19SHTI-162	1600:5	0.2%	10	-	0.213	1.50	1.00	3.0
19SHTI-202	2000:5	0.2%	15	-	0.266	1.33	1.00	3.0
19SHTI-252	2500:5	0.2%	20	-	0.333	1.00	0.80	3.0
19SHTI-302	3000:5	0.2%	25	-	0.399	1.00	0.80	3.0



** Shown with optional mounting brackets:
 P/N #0221B00777 (191I & 194I) All Dimensions In Inches

** Shown with optional mounting brackets:
 P/N #0221B00183 (19SHTI)

FLEX-CORE®
 Div. Morlan & Associates, Inc.
 4970 Scioto Darby Rd. Hilliard, Ohio 43026

WWW.FLEX-CORE.COM
 sales@flex-core.com

PHONE (614) 889-6152
 TECH. ASSISTANCE (614) 876-8308
 FAX # (614) 876-8538