

POTENTIAL TRANSFORMERS

THREE PHASE POTENTIAL TRANSFORMER

MODEL 3VTL

600V CLASS

POTENTIAL TRANSFORMERS

FEATURES

- UL Recognized
- Three transformers in one case
- The core and coil assembly is encased in a thermoplastic shell and filled with resin.
- The transformer has a hard plastic terminal cover.
- Although designed for Line to Line Operation, it may also be used in Line to Neutral or Line to Ground configurations at 58% of Rated Voltage.



MADE IN U.S.A.

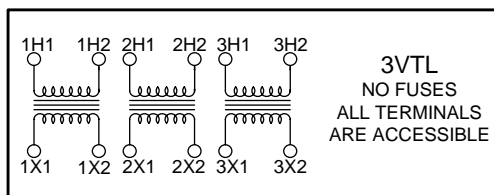
SPECIFICATIONS

Frequency 60Hz
 Standard Secondary Voltage 120 Volts
 Accuracy Class (per phase) 0.6 W, 1.2 X at 60Hz
 Thermal Rating (per phase) 150VA at 30°C Amb.
 100VA at 55°C Amb.
 Operation (not fused).....Independent Phase
 Insulation Level.....0.6kV, 10kV BIL Full Wave
 Terminals.....Brass Screws No. 8-32 UNC
 WeightApproximately 24 Lbs.

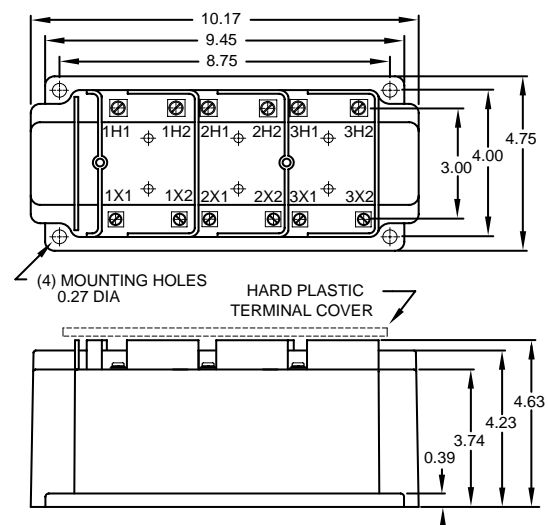
APPLICATION AND ORDERING DATA

CATALOG NUMBER	LINE TO LINE VOLTAGE RATING	TURNS RATIO	Recommended PRIMARY FUSE KTK-R	Recommended SECONDARY FUSE BBS (250V)
3VTL-460-120	120:120	1:1	4.0A	1.5 AMPS
3VTL-460-208	208:120	1.73:1	2.0A	
3VTL-460-240	240:120	2:1	2.0A	
3VTL-460-277	277:120	2.31:1	1.5A	
3VTL-460-288	288:120	2.4:1	1.5A	
3VTL-460-480	480:120	4:1	1.0A	
3VTL-460-600	600:120	5:1	0.75A	

CONNECTION DIAGRAM



DIMENSIONS



All Dimensions In Inches

FLEX-CORE®
 Div. Morlan & Associates, Inc.
 4970 Scioto Darby Rd. Hilliard, Ohio 43026

WWW.FLEX-CORE.COM
 sales@flex-core.com

PHONE (614) 889-6152
 TECH. ASSISTANCE (614) 876-8308
 FAX # (614) 876-8538