

# DIGITAL PANEL METERS

## UNIVERSAL DIGITAL METER

MODEL L40

### Digital Meter for Monitoring and Measuring



#### FEATURES

- User selectable inputs
- Universal power supply
- 1/8 DIN standard panel cutout
- 4 red LED digits (0.56")

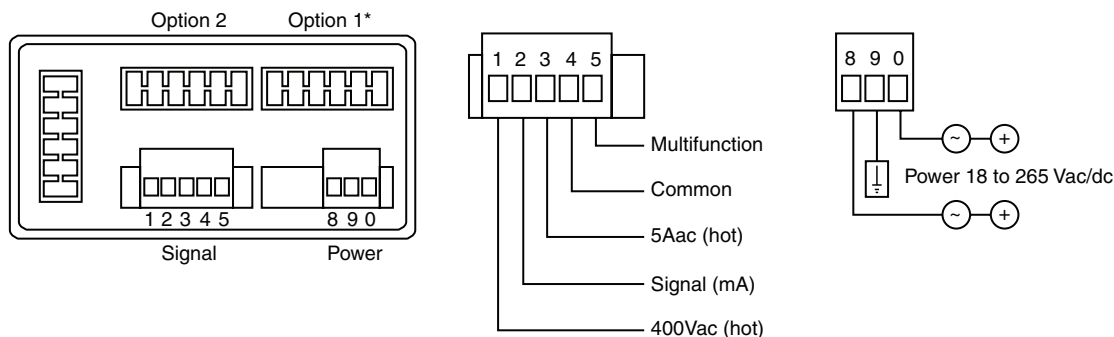
#### SPECIFICATIONS

0-5Aac Input .....	10mA resolution
	20mΩ input resistance
	7Aac max input (7 seconds)
	<0.5% F.S. accuracy
**0-400Vac Input.....	1 Volt resolution
	12MΩ input resistance
	600V max input
	<0.3% F.S. accuracy
4-20mA Input.....	-1999 to 9999 scaling
	4.7Ω input resistance
	25mA max input
	<0.15% F.S. accuracy

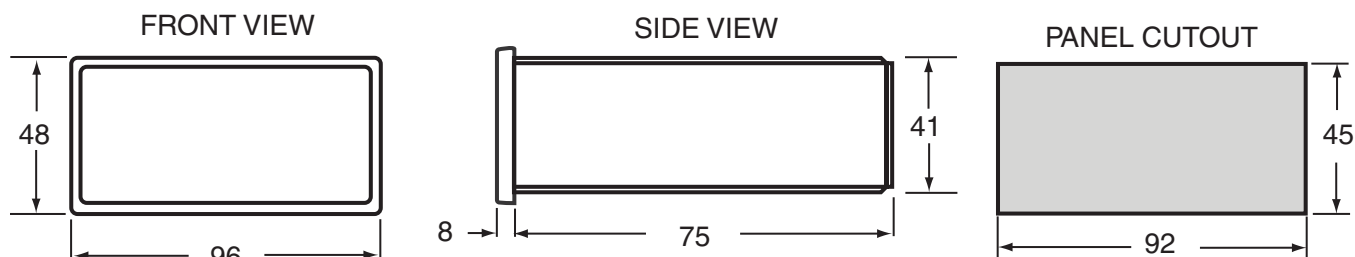
#### GENERAL SPECIFICATIONS

- Response Time .....300ms
  - Excitation Power (4-20mA)..... 15Vdc @ 30mA
  - Power Requirement..... 18-256Vac or dc
  - Power Consumption .....0.3 Watts
  - Mechanical.....96x48mm bezel dim.  
92x45mm panel cutout  
91mm depth behind panel  
163 grams (5.7oz)
  - Operating Temp.....0-50°C (32-122°F)
  - Storage Temp .....-20 to 70°C (-4 to 150°F)
  - Front Panel Protection..... IP 50
  - Brightness .....5 levels
- \*Relay and analog signal output modules are available.  
\*\*Factory setting

#### CONNECTOR PINOUTS



#### DIMENSIONS



\*Does not include connector depth

All Dimensions In Millimeters

**FLEX-CORE®**  
Div. Morlan & Associates, Inc.  
4970 Scioto Darby Rd. Hilliard, Ohio 43026

[WWW.FLEX-CORE.COM](http://WWW.FLEX-CORE.COM)  
sales@flex-core.com

PHONE (614) 889-6152  
TECH. ASSISTANCE (614) 876-8308  
FAX # (614) 876-8538