

# CURRENT TRANSFORMERS

## WOUND PRIMARY CURRENT TRANSFORMER

MODEL 189

ANSI METERING CLASS: 0.6, B0.2 AT 60HZ

### DESCRIPTION

- The Model 189 is a low ratio, wound primary current transformer, suitable for primary currents from 2.5A-100A with 5A outputs.
- To be used with ammeters, watt meters, or transducers.
- UL Recognized

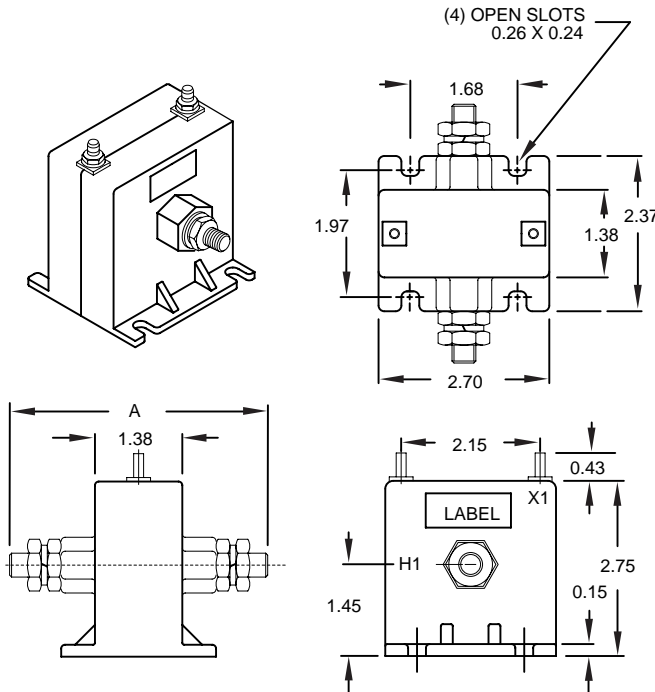
### 600V CLASS

### SPECIFICATIONS

Frequency..... 50-400Hz  
 Insulation Class .....0.6kV, 10kV BIL Full Wave  
 Continuous Thermal Rating Factor..... 1.33@30°C  
 1.0@55°C  
 Primary Terminals.... 30:5 and Below ... Brass No. 10-32  
 40:5 and Up ..... Brass No. 3/8-16  
 Secondary Terminals ..... Brass Screws No. 8-32  
 Weight ..... Approximately 0.75 Lb.  
 Manufactured to meet the requirements of ANSI/IEEE C57.13



### DIMENSIONS



"A" Dimension 30:5 and Below = 3.28"  
 40:5 and Up = 4.1"

All Dimensions In Inches

CATALOG NUMBER	CURRENT RATIO	ANSI ACCURACY	
		B0.1	B0.2
189-0025	2.5:5	.6	.6
189-005	5:5	.6	.6
189-0075	7.5:5	.6	.6
189-010	10:5	.6	.6
189-015	15:5	.6	.6
189-020	20:5	.6	.6
189-025	25:5	.6	.6
189-030	30:5	.6	.6
189-040	40:5	.6	.6
189-050	50:5	.6	.6
189-060	60:5	.6	.6
189-075	75:5	.6	.6
189-080	80:5	.6	.6
189-101	100:5	.6	.6

**FLEX-CORE®**  
 Div. Morlan & Associates, Inc.  
 4970 Scioto Darby Rd. Hilliard, Ohio 43026

WWW.FLEX-CORE.COM  
 sales@flex-core.com

PHONE (614) 889-6152  
 TECH. ASSISTANCE (614) 876-8308  
 FAX # (614) 876-8538