

CURRENT TRANSFORMERS

METERING CLASS CURRENT TRANSFORMER MODELS 125I, 126I

FEATURES

- Model 125I Terminals are Brass Studs No. 8-32 UNC
- Model 126I Terminals are Brass Studs No. 10-32 UNC (Each with flat washer, lockwasher and regular nut.)
- Meets 0.2 Accuracy

600V CLASS

SPECIFICATIONS

Frequency.....	50 to 400Hz
Insulation Class.....	0.6kV 10kV BIL Full Wave
Weight.....	Model 125I..... 3 Lbs. Model 126I..... 5.5 Lbs.
Mounting Brackets.....	Model 125I..... P/N 0221B00231 Model 126I..... P/N 0221B01529
Bus Bar Mounting Kit... Model 125I.....	P/N 0221A26076

APPLICATIONS

- For use with AGW series and AGH series Watt and Watt/Watt Hour Transducers.
- Ideal for use with Ammeters, Set Point Relays, Watt, Var, Current Transducers and Watt Hour Meters.



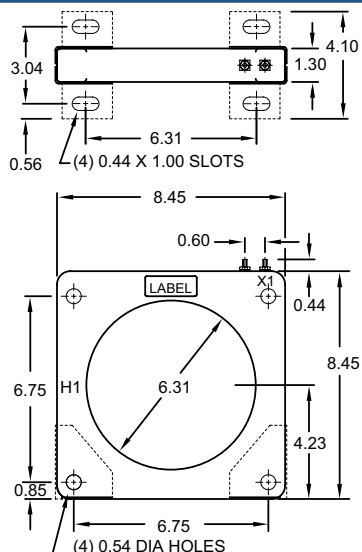
MADE IN U.S.A.



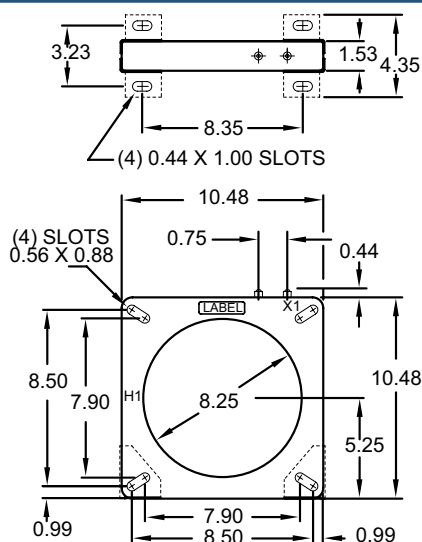
APPLICATION AND ORDERING DATA

MODEL NUMBER	CURRENT RATIO	ACCURACY	VA RATING	SECONDARY WINDING RESISTANCE (Ω @ 75°C)	CONTINUOUS THERMAL RATING FACTOR	
					@30°C	@55°C
125I-162	1600:5	0.2%	10	0.304	1.50	1.33
125I-202	2000:5	0.2%	12	0.280	1.50	1.00
125I-252	2500:5	0.2%	20	0.351	1.33	1.00
125I-302	3000:5	0.2%	20	0.421	1.33	1.00
125I-402	4000:5	0.2%	30	0.696	1.00	0.80
125I-502	5000:5	0.2%	40	1.220	1.33	1.00
126I-252	2500:5	0.2%	45	0.904	1.00	0.80
126I-302	3000:5	0.2%	50	0.722	1.33	1.00
126I-402	4000:5	0.2%	100	0.962	1.00	0.80
126I-502	5000:5	0.2%	120	1.203	1.00	0.80

MODEL 125I DIMENSIONS



MODEL 126I DIMENSIONS



All Dimensions In Inches

FLEX-CORE®

Div. Morlan & Associates, Inc.

4970 Scioto Darby Rd. Hilliard, Ohio 43026

WWW.FLEX-CORE.COM

sales@flex-core.com

PHONE (614) 889-6152

TECH. ASSISTANCE (614) 876-8308

FAX # (614) 876-8538