

# CURRENT TRANSFORMERS

## SPLIT CORE CURRENT TRANSFORMER MODEL 4LSF

### High Accuracy Revenue Grade Split Core Current Transformer

#### DESCRIPTION

The split core CTs are compact current transformers with high accuracy. The CTs are ideal for quick and easy installation without disconnecting cables during installation. Multiple installation mechanisms provide stable and durable current measurement.

#### 600V CLASS



#### FEATURES

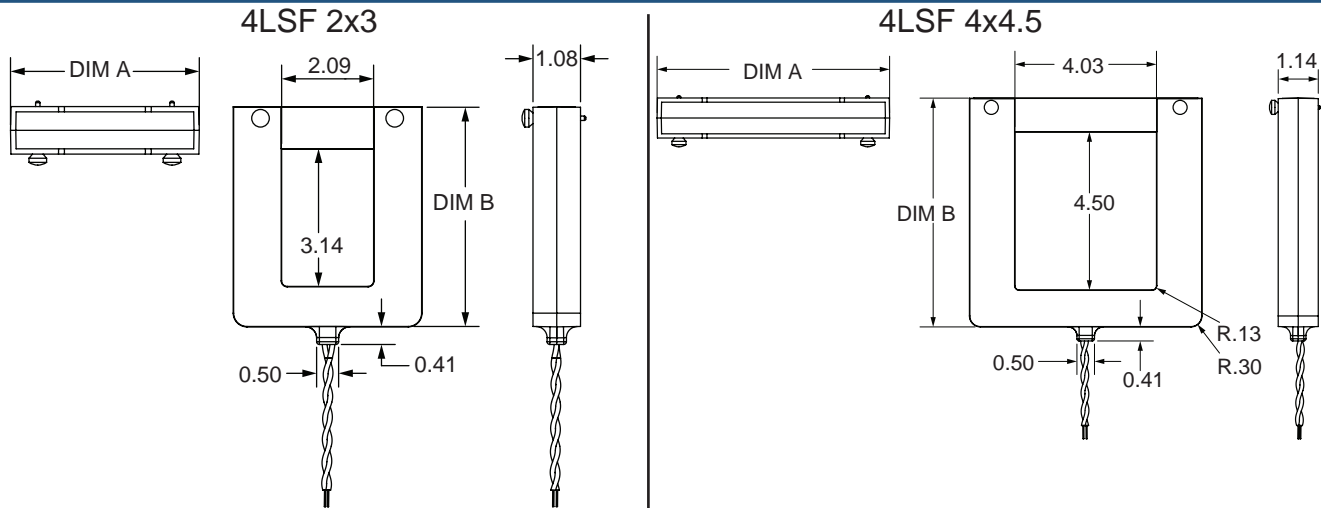
- 333mV Output, Class 0.2 Accuracy
- Simple take apart style
- Can be installed on cable or bus
- 2.09" x 3.14" or 4.03" x 4.50" window sizes available
- Listed to UL2808, 61010-1, and CSA 22.2

#### SPECIFICATIONS

Rated Primary Current ..... 400A to 2000A  
 Rated Output ..... 333mV  
 Rating Factor ..... 1.33 @ 30°C Ambient  
 Voltage Rating ..... 600Vac, rated CAT IV  
 Operating Ambient Temperature ..... -40°C to 55°C  
 Accuracy ..... IEC60044-1 0.2 Class  
 Leads ..... 8' 18AWG twisted

CATALOG NUMBER	ACCURACY	INPUT RATING	OUTPUT	DIMENSIONS		WEIGHT
				DIM A	DIM B	
4LSF-400A:333mV-2x3	0.2	400A	0.333Vac	4.25	5.00	1.5 Lbs.
4LSF-500A:333mV-2x3	0.2	500A	0.333Vac	4.25	5.00	1.5 Lbs.
4LSF-600A:333mV-2x3	0.2	600A	0.333Vac	4.25	5.00	1.5 Lbs.
4LSF-800A:333mV-2x3	0.2	800A	0.333Vac	4.625	5.25	1.5 Lbs.
4LSF-1000A:333mV-2x3	0.2	1000A	0.333Vac	4.625	5.25	1.5 Lbs.
4LSF-1200A:333mV-4x4.5	0.2	1200A	0.333Vac	6.62	6.50	3.0 Lbs.
4LSF-1500A:333mV-4x4.5	0.2	1500A	0.333Vac	7.25	7.25	3.0 Lbs.
4LSF-1600A:333mV-4x4.5	0.2	1600A	0.333Vac	7.25	7.25	3.0 Lbs.
4LSF-2000A:333mV-4x4.5	0.2	2000A	0.333Vac	7.25	7.25	3.0 Lbs.

#### DIMENSIONS



All Dimensions In Inches

**FLEX-CORE®**  
 Div. Morlan & Associates, Inc.  
 4970 Scioto Darby Rd. Hilliard, Ohio 43026

[WWW.FLEX-CORE.COM](http://WWW.FLEX-CORE.COM)  
 sales@flex-core.com

PHONE (614) 889-6152  
 TECH. ASSISTANCE (614) 876-8308  
 FAX # (614) 876-8538

# CURRENT TRANSFORMERS

## SPLIT CORE CURRENT TRANSFORMER

MODEL 4LSF (6X8)

High Accuracy Revenue Grade Split Core Current Transformer

### DESCRIPTION

The split core CTs are compact current transformers with high accuracy. The CTs are ideal for quick and easy installation without disconnecting cables during installation. Multiple installation mechanisms provide stable and durable current measurement.

### 600V CLASS



### FEATURES

- 333mV Output, Class 0.2 Accuracy
- Simple take apart style
- Can be installed on cable or bus
- Listed to UL2808, 61010-1, and CSA 22.2

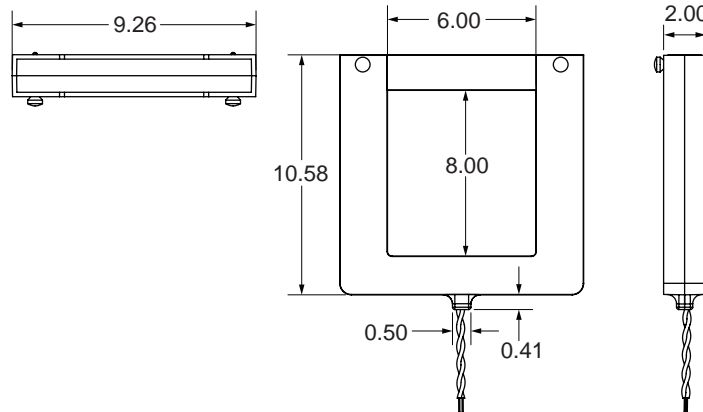
### SPECIFICATIONS

Rated Primary Current ..... 2500A to 6000A  
 Rated Output ..... 333mV  
 Rating Factor ..... 1.33 @ 30°C Ambient  
 Voltage Rating ..... 600Vac, rated CAT IV  
 Operating Ambient Temperature..... -40°C to 55°C  
 Accuracy ..... IEC60044-1 0.2 Class  
 Leads ..... 8' 18AWG twisted

CATALOG NUMBER	ACCURACY	INPUT RATING	OUTPUT	WEIGHT
4LSF-2500A:333mV-6x8	0.2	2500A	0.333Vac	3.8 Lbs.
4LSF-3000A:333mV-6x8	0.2	3000A	0.333Vac	3.8 Lbs.
4LSF-3500A:333mV-6x8	0.2	3500A	0.333Vac	3.8 Lbs.
4LSF-4000A:333mV-6x8	0.2	4000A	0.333Vac	3.8 Lbs.
4LSF-5000A:333mV-6x8	0.2	5000A	0.333Vac	3.8 Lbs.
4LSF-6000A:333mV-6x8	0.2	6000A	0.333Vac	3.8 Lbs.

### DIMENSIONS

4LSF 6" x 8"



All Dimensions In Inches

**FLEX-CORE®**

Div. Morlan & Associates, Inc.

4970 Scioto Darby Rd. Hilliard, Ohio 43026

[WWW.FLEX-CORE.COM](http://WWW.FLEX-CORE.COM)

[sales@flex-core.com](mailto:sales@flex-core.com)

PHONE (614) 889-6152

TECH. ASSISTANCE (614) 876-8308

FAX # (614) 876-8538