

# CURRENT TRANSFORMERS

## MV BAR TYPE CURRENT TRANSFORMER

MODEL JKM-3C

### SPECIFICATIONS

Designed for indoor service.  
 Suitable for operating meters, instruments and control devices.

**5KV CLASS**

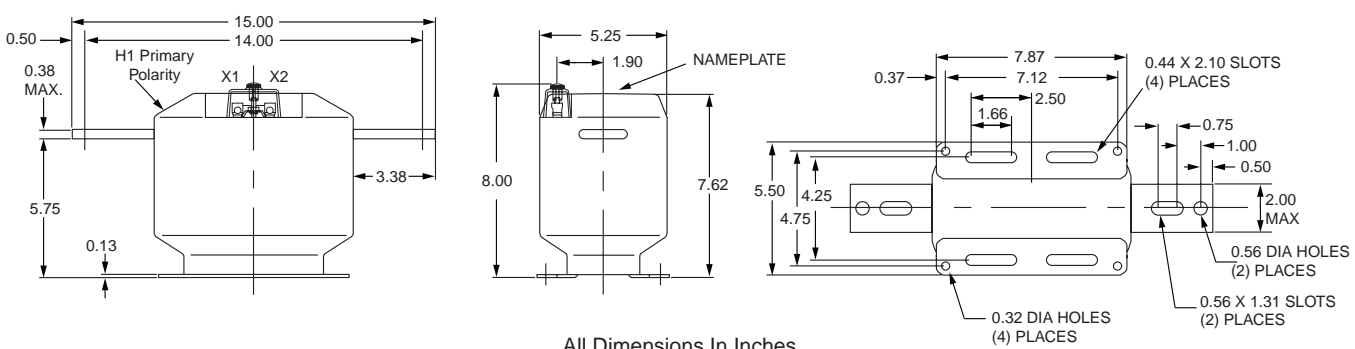


Insulation Level.....5kV, 60kV BIL Full Wave  
 Frequency..... 50-60Hz  
 Weight .....Approximately 30 Lbs.  
 Manufactured to meet the requirements of ANSI/IEEE C57.13



APPLICATION AND ORDERING DATA										
CATALOG NUMBER	CURRENT RATIO (AMPS) PRI:SEC	ANSI ACCURACY CLASS, 60Hz			CONTINUOUS THERMAL CURRENT RATING FACTOR		PRIMARY BAR SIZE		ONE SECOND THERMAL LIMIT AMPS	MECH. LIMIT AMPS
		ANSI METER CLASS BURDEN		RELAY CLASS	@ 30° C	@ 55° C	WIDTH INS.	THICK INS.		
		B0.1 to B0.5	B0.9 to B1.8							
<b>SINGLE RATIO</b>										
753X140023	5:5	0.3	0.3	T100	1.5	1.0	1.50	0.188	465	550
753X140024	10:5	0.3	0.3	T100	1.5	1.0	1.50	0.188	930	1100
753X140025	15:5	0.3	0.3	T100	1.5	1.0	1.50	0.188	1470	1650
753X140026	20:5	0.3	0.3	T100	1.5	1.0	1.50	0.188	1850	2200
753X140027	25:5	0.3	0.3	T100	1.5	1.0	1.50	0.188	2300	2750
753X140028	30:5	0.3	0.3	T100	1.5	1.0	1.50	0.188	2450	3300
753X140029	40:5	0.3	0.3	T100	1.5	1.0	1.50	0.188	3700	4400
753X140030	50:5	0.3	0.3	T100	1.5	1.0	1.50	0.188	4600	5500
753X140032	75:5	0.3	0.3	T100	1.5	1.0	1.50	0.188	6400	8250
753X140033	100:5	0.3	0.3	T100	1.5	1.0	1.50	0.188	8600	11000
753X140035	150:5	0.3	0.3	T100	1.5	1.0	1.50	0.188	12800	16500
753X140036	200:5	0.3	0.3	T100	1.5	1.0	2.00	0.25	17300	22000
753X140038	300:5	0.3	0.3	T100	1.5	1.0	2.00	0.25	25700	33000
753X140039	400:5	0.3	0.3	T100	1.5	1.0	2.00	0.25	36000	44000
753X140040	500:5	0.3	0.3	T100	1.33	1.0	2.00	0.38	43100	47000
753X140041	600:5	0.3	0.3	T100	1.5	1.0	2.00	0.38	51500	66000
753X140042	800:5	0.3	0.3	T100	1.33	1.0	2.00	0.38	63300	70500
<b>TAPPED SECONDARY</b>										
753X140016	50/100:5	0.3	---	T50	2.0	1.5	1.50	0.188	4300	11000
		0.3	0.3	T100	1.5	1.0			8600	
753X140017	75/150:5	0.3	---	T50	2.0	1.5	1.50	0.188	6400	16500
		0.3	0.3	T100	1.5	1.0			12800	
753X140018	100/200:5	0.3	---	T50	2.0	1.5	2.00	0.25	8650	22000
		0.3	0.3	T100	1.5	1.0			17300	
753X140019	150/300:5	0.3	---	T50	2.0	1.5	2.00	0.25	13750	33000
		0.3	0.3	T100	1.5	1.0			27500	
753X140020	200/400:5	0.3	---	T50	2.0	1.5	2.00	0.25	18000	44000
		0.3	0.3	T100	1.5	1.0			36000	
753X140021	300/600:5	0.3	---	T50	2.0	1.5	2.00	0.38	25750	66000
		0.3	0.3	T100	1.5	1.0			51500	
753X140022	400/800:5	0.3	---	T50	2.0	1.5	2.00	0.38	31650	70500
		0.3	0.3	T100	1.33	1.0			63300	

### DIMENSIONS



All Dimensions In Inches

<b>FLEX-CORE®</b> Div. Morlan & Associates, Inc. 4970 Scioto Darby Rd. Hilliard, Ohio 43026	<a href="http://WWW.FLEX-CORE.COM">WWW.FLEX-CORE.COM</a>	PHONE (614) 889-6152
	sales@flex-core.com	TECH. ASSISTANCE (614) 876-8308
		FAX # (614) 876-8538