

# CURRENT TRANSFORMERS

## METERING CLASS CURRENT TRANSFORMER MODELS 19SHT, 125,126-1V

### FEATURES

- 0-1Vac Output
- 0.3% Accuracy

### 600V CLASS

MADE  
IN U.S.A.



### SPECIFICATIONS

Frequency.....50-400Hz  
 Insulation Class ..... 0.6kV, 10kV BIL Full Wave  
 Terminals  
 Model 19SHT-1V ..... Brass Studs No. 8-32 with one flat washer, lock washer, and regular nut.  
 Model 125-1V ..... Brass Studs No. 8-32 with one flat washer, lock washer, and regular nut.  
 Model 126-1V ..... Brass Studs No. 10-32 with one flat washer, lock washer, and regular nut.  
 Weight  
 Model 19SHT-1V ..... Approximately 3 Lbs.  
 Model 125-1V ..... Approximately 3 Lbs.  
 Model 126-1V ..... Approximately 5.5 Lbs.  
 Mounting Brackets  
 Model 19SHT-1V ..... P/N 0221B00183  
 Model 125-1V ..... P/N 0221B00231  
 Model 126-1V ..... P/N 0221B01529

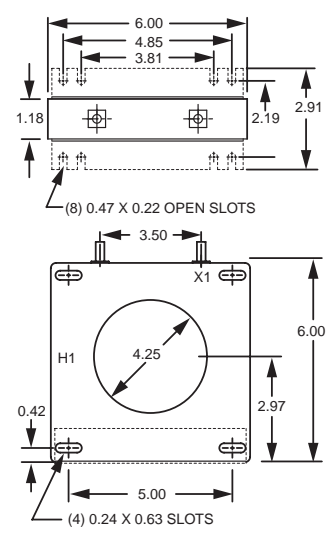
### APPLICATIONS

- For use with 0-1Vac input power meters.

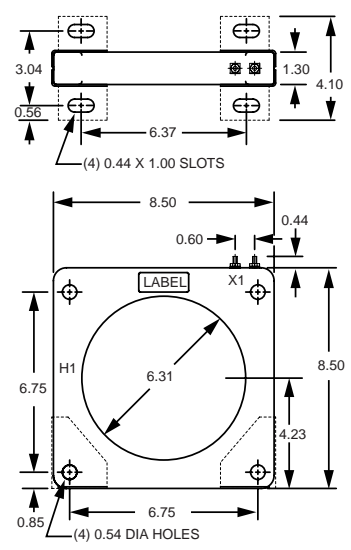


APPLICATION AND ORDERING DATA							
CATALOG NUMBER 19SHT-1V	CATALOG NUMBER 125-1V	CATALOG NUMBER 126-1V	CURRENT RATIO	ACCURACY	CONTINUOUS THERMAL RATING FACTOR		
					@ 30°C	@ 55°C	
19SHT-101-1V	-	-	100:1V	0.3%	1.0	0.8	
19SHT-201-1V	-	-	200:1V	0.3%	1.0	0.8	
19SHT-301-1V	-	-	300:1V	0.3%	1.0	0.8	
19SHT-401-1V	-	-	400:1V	0.3%	1.0	0.8	
19SHT-501-1V	125-501-1V	126-501-1V	500:1V	0.3%	1.0	0.8	
19SHT-601-1V	125-601-1V	126-601-1V	600:1V	0.3%	1.0	0.8	
19SHT-801-1V	125-801-1V	126-801-1V	800:1V	0.3%	1.0	0.8	
-	125-102-1V	126-102-1V	1000:1V	0.3%	1.0	0.8	
-	125-122-1V	126-122-1V	1200:1V	0.3%	1.0	0.8	
-	125-152-1V	126-152-1V	1500:1V	0.3%	1.0	0.8	
-	125-202-1V	126-202-1V	2000:1V	0.3%	1.0	0.8	
-	-	126-252-1V	2500:1V	0.3%	1.0	0.8	
-	-	126-302-1V	3000:1V	0.3%	1.0	0.8	

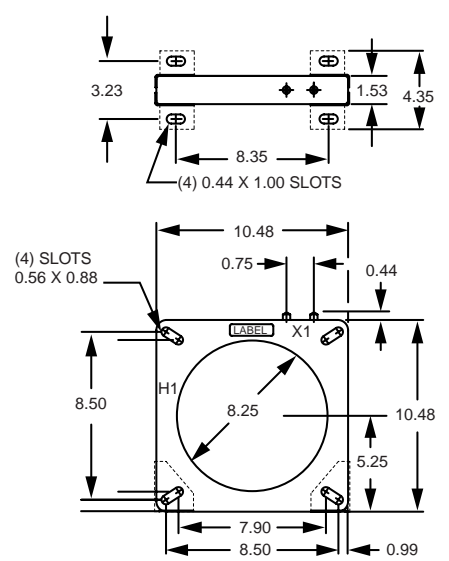
### 19SHT-1V DIMENSIONS



### 125-1V DIMENSIONS



### 126-1V DIMENSIONS



All Dimensions In Inches

**FLEX-CORE®**  
 Div. Morlan & Associates, Inc.  
 4970 Scioto Darby Rd. Hilliard, Ohio 43026

[WWW.FLEX-CORE.COM](http://WWW.FLEX-CORE.COM)  
 sales@flex-core.com

PHONE (614) 889-6152  
 TECH. ASSISTANCE (614) 876-8308  
 FAX # (614) 876-8538