

# CURRENT TRANSDUCERS

## RMS CURRENT TRANSDUCER

MODEL ACTR

ACCURATE TO 0.25% FULL SCALE

### FEATURES

- Accurate measurement of the **true RMS** value of input signals over a wide frequency range.
- Input/output isolation.

INPUT	STANDARD OUTPUTS MODEL ACTR-			
AC AMPS	0-1mA <sub>d</sub> c	4-20mA <sub>d</sub> c	0-10V <sub>d</sub> c	0-5V <sub>d</sub> c
0 to 1.0	001B	001E	001D	001X5
0 to 5.0	005B	005E	005D	005X5
0 to 10.0	010B	010E	010D	010X5
0 to 15.0	015B	015E	015D	015X5
0 to 20.0	020B	020E	020D	020X5

Highlighted model (5A) can be used with current transformers.  
 All std. units require 115Vac, ±15% instrument power, (50-60Hz).  
 Optional 230Vac instrument power-Add suffix "-22".

### APPLICATIONS

- For use in applications where measurement of non-sinusoidal waveforms is required.
- Designed to withstand motor start-up transients.



### ORDERING INFORMATION

Example: 15Aac Input with  
 0-10Vdc Output.  
**ACTR-015D**

### SPECIFICATIONS

#### INPUT

Current..... See Table  
 Frequency Range ..... 48 to 420Hz  
 Burden ..... 0.28VA F.S.  
 Current Overload  
 1-10A Range ..... 2 X F.S. (cont.)  
 15-20A Range ..... 25A Maximum, continuous  
 10 X Rating..... (1 sec. transient) ..... 10 Seconds/hour  
 Dielectric Test ..... (Input/Output/Case) ..... 2200Vac

#### OUTPUT

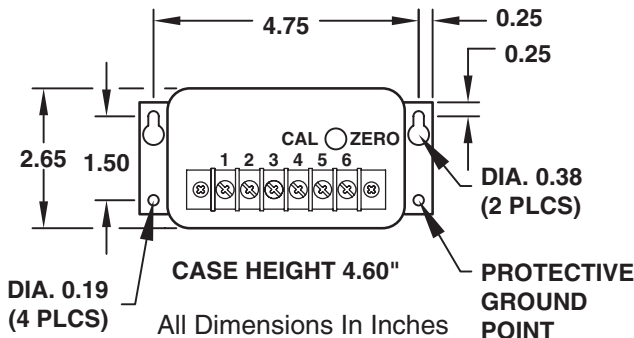
Output Ripple..... <1.0% F.S.  
 Response...(90%)..... 100ms  
 Output Loading (Ω)  
 0-1mA..... 0-10K  
 0-10Vdc, 0-5Vdc..... 2K min.  
 4-20mA..... 0-500  
 Field Adjustable Cal..... ± 10%

#### ACCURACY ..... ± 0.25% F.S. @ 60Hz

Includes effects of linearity and setpoint.  
 ± 0.5% over frequency range (typ.)

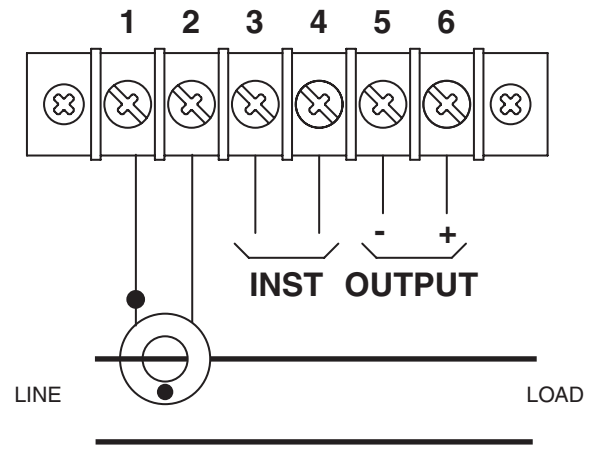
Temperature Effect ..... (-20°C to +60°C) ..... ± 1.0% Rdg.  
 Instrument Power..(Std.)..... 115Vac, ±15%, 50-60Hz, 3.5VA  
 Weight ..... 1.5 Lbs.

### DIMENSIONS

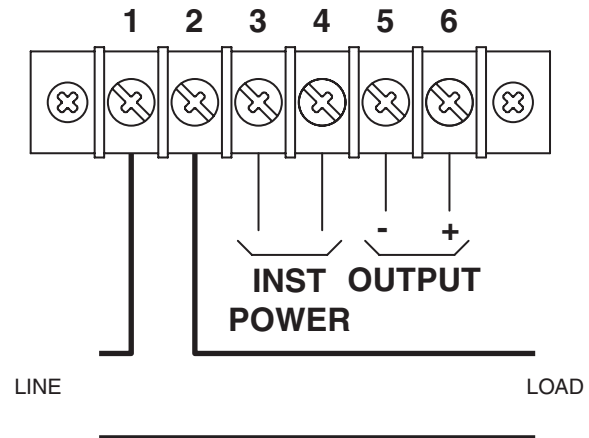


### CONNECTION DIAGRAMS

#### Using Current Transformers



#### Direct Connection



**FLEX-CORE®**

Div. Morlan & Associates, Inc.  
 4970 Scioto Darby Rd. Hilliard, Ohio 43026

WWW.FLEX-CORE.COM

sales@flex-core.com

PHONE (614) 889-6152

TECH. ASSISTANCE (614) 876-8308

FAX # (614) 876-8538

CURRENT TRANSDUCERS