

POTENTIAL TRANSFORMERS

THREE PHASE THREE WIRE POTENTIAL TRANSFORMER *MODEL 3PT3*

FEATURES

- Frequency 60Hz
- Standard Secondary Voltage..... 120Vac
- Insulation Class.....5.6kV, 60kV BIL Full Wave
- UL Recognized
- FOR INDOOR USE ONLY

SPECIFICATIONS

Accuracy Class.. 0.3 WX, 0.6M, 1.2Y at 100% rated voltage with 120V based ANSI burden.

Frequency..... 60Hz

Thermal Rating

350VA (2.4 secondary amps per phase) 60Hz at 30°C

225VA (1.7 secondary amps per phase) 60Hz at 55°C

Insulation5.6kV, 60kV BIL Full Wave

Weight Approximately 38 Lbs.

Primary Terminals..... No. 10-32 Brass Screws with one flat washer and lock washer.

The core and coil assembly is encased in a plastic enclosure and vacuum encapsulated in polyurethane resin.

Recommended Spacing is for guidance only. The user needs to set appropriate values to assure performance for:

high potential test, impulse test, high humidity, partial discharge, and high altitude.

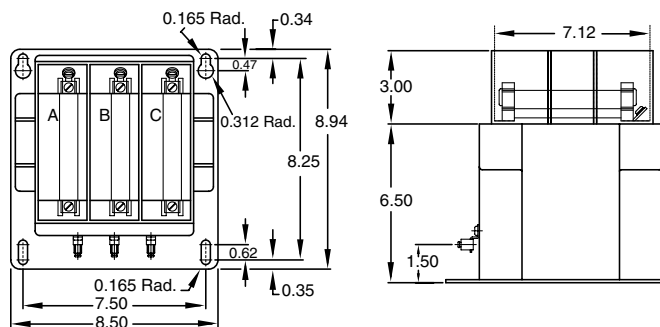
Primary Fuses Included.

ALL UNITS HAVE 120Vac SECONDARIES

APPLICATION AND ORDERING DATA				
CATALOG NUMBER	RATED PRIMARY VOLTAGE	RATIO	FUSE RATING	REPLACEMENT FUSE #
3PT3-60-242FFF	2400	20:1	1.0E	5.5AMWNA1.0E
3PT3-60-332FFF*	3300	30:1	1.0E	5.5AMWNA1.0E
3PT3-60-422FFF	4200	35:1	0.5E	5.5AMWNA0.5E
3PT3-60-482FFF	4800	40:1	0.5E	5.5AMWNA0.5E

*Rated 50/60Hz, 0.3W Accuracy, 500VA Total @ 30°C, 350VA Total @ 55°C

CASE DIMENSIONS

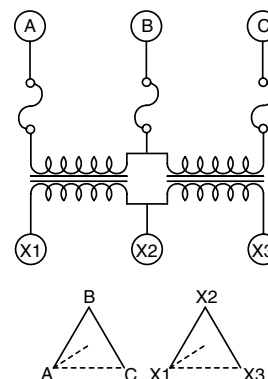


All Dimensions In Inches

5KV CLASS

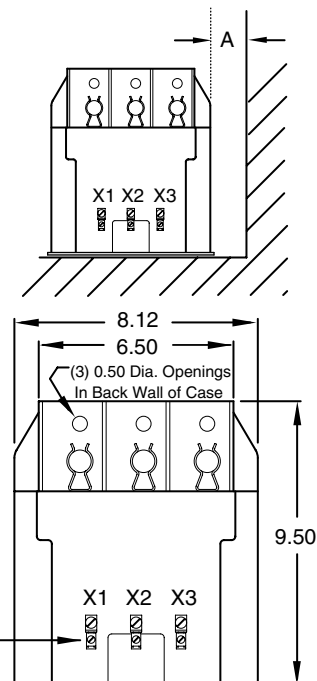


CONNECTION DIAGRAM



RECOMMENDED SPACING

A = CASE TO GROUND = 1.50" MIN.



Single Hole Solderless Lugs for #6 Thru #14 Wire

FLEX-CORE®
Div. Morlan & Associates, Inc.
4970 Scioto Darby Rd. Hilliard, Ohio 43026

WWW.FLEX-CORE.COM
sales@flex-core.com

PHONE (614) 889-6152
TECH. ASSISTANCE (614) 876-8308
FAX # (614) 876-8538