

ANALOG SWITCHBOARD METERS

INDUSTRIAL SWITCHBOARD METERS

MODEL 103

FEATURES

4 1/4" SQUARE

- Designed for industrial use - strong steel case with rugged mounting studs and electrical terminals.
- Sealed cover and case - maintains accuracy and prolongs life.
- $\pm 1.0\%$ Accuracy - meets or exceeds ANSI C39.1 specifications.
- Easy to read at a distance or angle - bold clean dials; no shadows; no parallax error; attractive, uncluttered scales.
- Fluid damped taut-band moving coil mechanisms designed for shock and vibration resistance - have great sensitivity and repeatability.
- Shielding of mechanisms ensures against magnetic field and steel panel mounting problems.
- Two piece dial and picket pattern. D'Arsonval movements are linear and repeatable to one percent on preprinted dials.

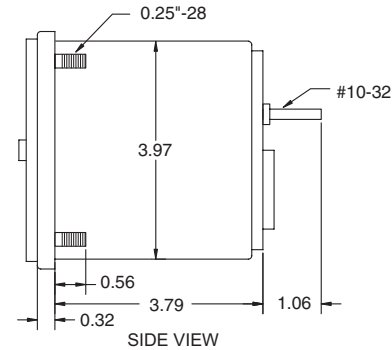
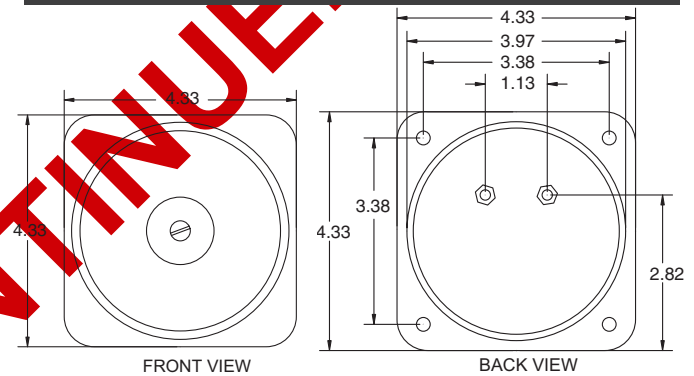


All standard meters listed are UL Recognized.

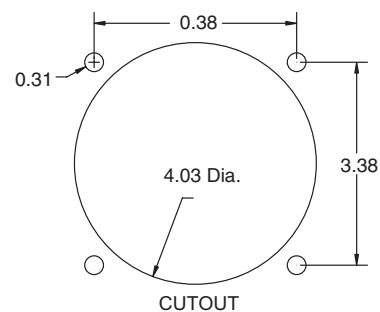
ANALOG SWITCHBOARD METERS

RANGE	CATALOG NO.
AC VOLTMETERS, RMS Responding, self-contained	
0-150	103-021-PZPZ
0-250	103-021-RSRS
0-300	103-021-RXRX
0-500	103-021-SFSF
0-600	103-021-SJSJ
AC VOLTMETERS, RMS Responding, 150V Rated external potential transformers required.	
0-300	103-021-PZRX
0-600	103-021-PZSJ
0-750	103-021-PZSM
0-3000	103-021-PZUA
0-5250	103-021-PZUL
0-6000	103-021-PZUP
0-9000	103-021-PZUY
0-15K	103-021-PZVZ
0-18K	103-021-PZXE
0-45K	103-021-PZJU
0-150K	103-021-PZYR
AC AMMETERS, RMS Responding, 5A rated, external current transformer required	
0-50	103-131-LSNT
0-100	103-131-LSPK
0-150	103-131-LSPZ
0-200	103-131-LSRL
0-250	103-131-LSRS
0-300	103-131-LSRX
0-400	103-131-LSSC
0-500	103-131-LSSF
0-600	103-131-LSSJ
0-800	103-131-LSSN
0-1000	103-131-LSSS
0-1200	103-131-LSSV
0-1500	103-131-LSTC
0-1600	103-131-LSTE
0-2000	103-131-LSTM
0-2500	103-131-LSTV
0-3000	103-131-LSUA
0-4000	103-131-LSUE
0-5000	103-131-LSUJ
0-6000	103-131-LSUP

DIMENSIONS



MOUNTING



All Dimensions In Inches

FLEX-CORE®

Div. Morlan & Associates, Inc.

4970 Scioto Darby Rd. Hilliard, Ohio 43026

WWW.FLEX-CORE.COM

sales@flex-core.com

PHONE (614) 889-6152

TECH. ASSISTANCE (614) 876-8308

FAX # (614) 876-8538