

CURRENT TRANSFORMERS

SOLID CORE CURRENT TRANSFORMER

MODEL AL

FEATURES

- UL Recognized
- Window I.D. - 1.05"
- Use with Ammeters

600V CLASS

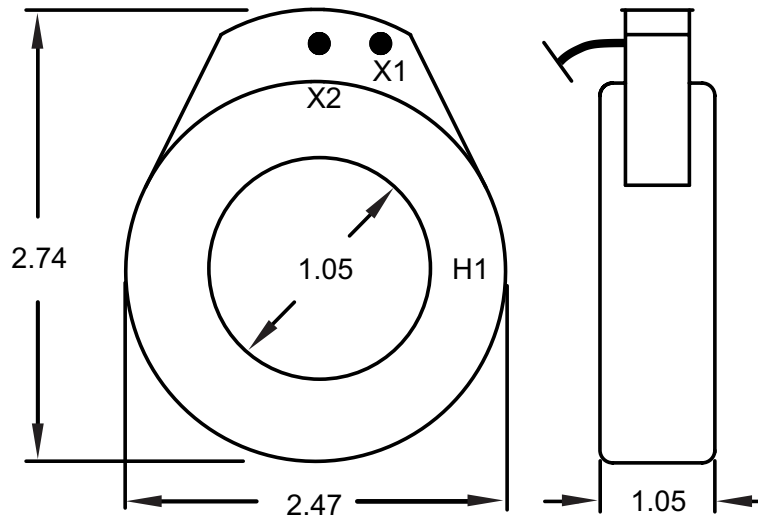


SPECIFICATIONS

Frequency 50-400Hz
 Insulation Class 0.6kV, 10kV BIL Full Wave
 Flexible Leads UL1015, 105°C, CSA approved, 16 AWG, 24"
 Weight Approximately 0.5 lb.

APPLICATION AND ORDERING DATA			
CATALOG NUMBER	CURRENT RATIO	ACCURACY AT 60Hz	BURDEN VA AT 60Hz
AL-500	50:5	+3%	1.5
AL-600	60:5	+3%	2.0
AL-750	75:5	+2%	2.0
AL-800	80:5	+2%	2.0
AL-101	100:5	+1%	2.0
AL-121	120:5	+1%	2.5
AL-1250	125:5	+1%	2.5
AL-151	150:5	+1%	4.0
AL-201	200:5	+1%	4.0
AL-251	250:5	+1%	6.0
AL-301	300:5	+1%	8.0
AL-401	400:5	+1%	10.0

DIMENSIONS



All Dimensions In Inches

FLEX-CORE®
 Div. Morlan & Associates, Inc.
 4970 Scioto Darby Rd. Hilliard, Ohio 43026

WWW.FLEX-CORE.COM
 sales@flex-core.com

PHONE (614) 889-6152
 TECH. ASSISTANCE (614) 876-8308
 FAX # (614) 876-8538