

ACCESSORIES

SHORTING TERMINAL BLOCK

MODEL 17SC

FEATURES

- UL Recognized
- Short circuiting versions for meter servicing, CT tap changing, etc.
- Rugged non-chipping heavy duty construction
- Black plastic cover
- Can make shorting connection without removing cover
- 4, 6, and 8 Pole configuration

600V CLASS



1704SC



1706SC



1708SC



LR19766



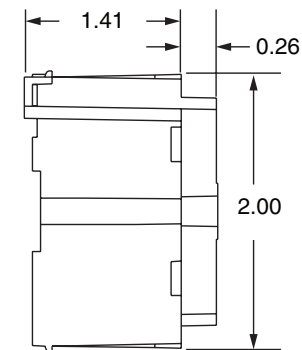
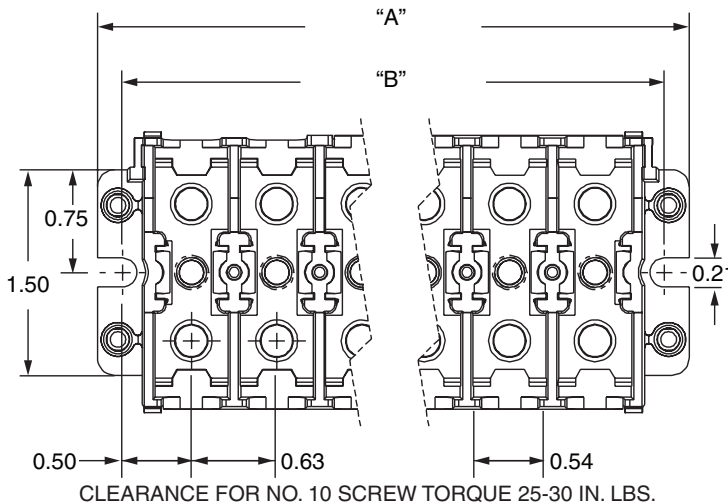
E62806

SPECIFICATIONS

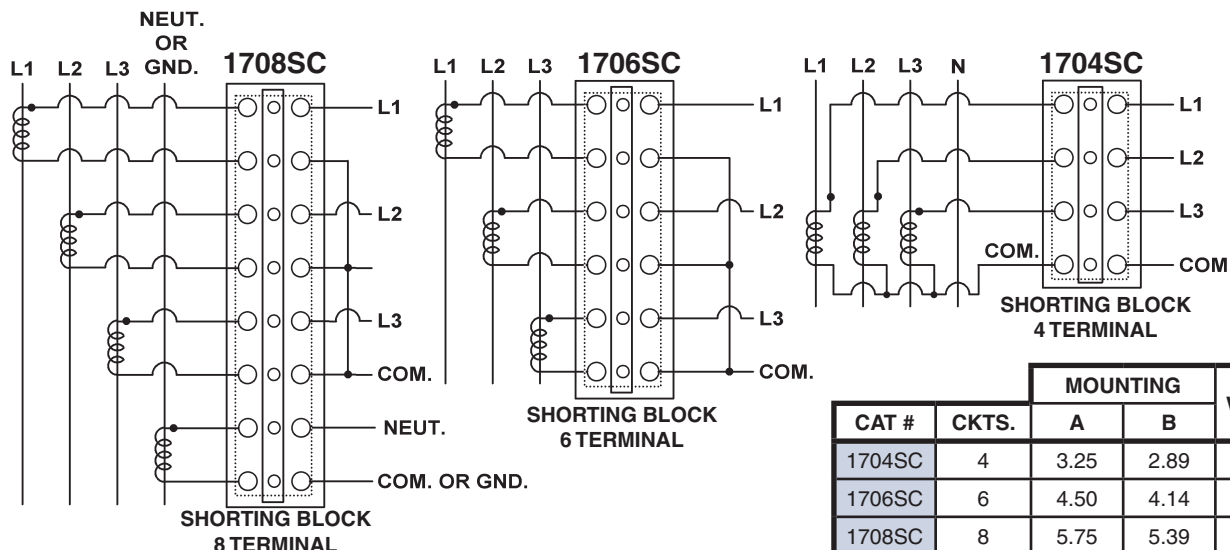
Rating 600Vac, 75A**, 10kAIC
 Wire Range 18-10 AWG
 Material Thermoplastic body
 Terminal Screws #10-32 nickel plated brass
 Terminals Brass, allows lugs up to 1/2" in width
 4, 6 and 8 pole configurations Shorting type with covers, shorting screws and screw "Parking Stations"
 Surface Mounting Flat base for one piece terminal block replacement
 *Optional DIN Rail Adapters for mounting on rail EN50035(DIN 1) P/N DIN-R-1-KIT
 ** When connected with ring, spade or fork terminal (no bare wire)

| ORDERING INFORMATION | |
|----------------------|-----------------|
| CATALOG NUMBER | NUMBER OF POLES |
| 1704SC | 4 |
| 1706SC | 6 |
| 1708SC | 8 |

MOUNTING, WIRING & DIMENSIONS



All Dimensions In Inches



| CAT # | CKTS. | MOUNTING | | WEIGHT |
|--------|-------|----------|------|---------|
| | | A | B | |
| 1704SC | 4 | 3.25 | 2.89 | 4.5 oz. |
| 1706SC | 6 | 4.50 | 4.14 | 6.5 oz. |
| 1708SC | 8 | 5.75 | 5.39 | 8.5 oz. |

FLEX-CORE®
 Div. Morlan & Associates, Inc.
 4970 Scioto Darby Rd. Hilliard, Ohio 43026

WWW.FLEX-CORE.COM
 sales@flex-core.com

PHONE (614) 889-6152
 TECH. ASSISTANCE (614) 876-8308
 FAX # (614) 876-8538