

# VOLTAGE TRANSDUCERS

## AC VOLTAGE TRANSDUCER

## MODEL MVT

### DIN RAIL MOUNTED AC VOLTAGE TRANSDUCER

#### FEATURES

- Ruggedized Polyamide DIN mount case.
- Slim profile allows maximum use of available space.
- Field selectable analog outputs. ("A" Suffix)
- Recessed terminals provide increased safety.

INPUT AC VOLTAGE	STANDARD OUTPUTS MODEL MVT-		
	0-1mA <sup>*</sup>	4-20mA <sup>*</sup>	4-20mA <sup>**</sup>
0 to 150	150A	150E	150E2
0 to 300	300A	†300E	300E2
0 to 600††	†600A	†600E	†600E2

†† Potential Transformers Included.

† Not UL Listed.

\*Models are self-powered from measured AC input line with **DIP switch selectable 0-1mA, 0-5Vdc, or 0-10Vdc output.**

\*\*Denotes 4-20mA loop-powered unit, (15-40Vdc). "E" models require 85-135Vac instrument power.

1" wide case can be mounted on Rail EN50035 (DIN 1) or Rail EN50022 (DIN2).

Transducer output is derived from the absolute value of the input and calibrated as the RMS value of a sine wave input.

#### APPLICATIONS

- Ideal for use in enclosures with dimensional constraints.
- Designed for industrial environments.
- OEM measurement systems.
- Designed for use with potential transformers.
- Easily integrated into control systems.

#### ORDERING INFORMATION

Example: 0-150Vac Input with  
4-20mA Output.  
**MVT-150E**



VOLTAGE TRANSDUCERS

### SPECIFICATIONS

#### INPUT

Voltage..... See Table  
Frequency Range ..... 48 to 65Hz, 60Hz Nom.  
Burden ..... 150V models ..... 1.0VA  
300V,600V models ..... 2.0VA  
Voltage Overload ..... F.S. Rating  
Dielectric Test....(Input/Output) ..... 1500Vac  
Instrument Power .... (E) .....85-135Vac 50-60Hz, 3.5VA  
(E2) ..... 15-40Vdc (Loop Powered)

#### OUTPUT

Output Ripple..... <1.0% F.S.  
Response Time...(99%) ..... 400ms  
Field Adjustable Span..... ± 5%

#### Output Loading (Ω)

4-20mA ..... 0-500  
4-20mA (24V Loop Power) ..... 0-600  
Field Selectable  
0-1mA ..... 0-10K  
0-5Vdc ..... > 5M  
0-10Vdc ..... > 10M

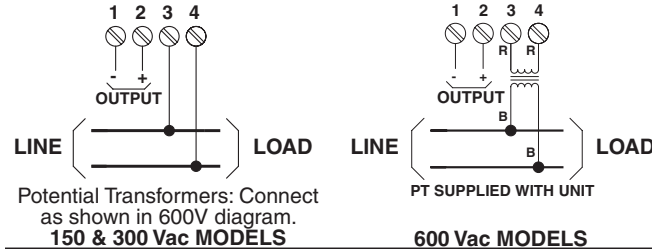
**ACCURACY (@ 60Hz)..... ±0.25% F.S.**  
Includes effects of linearity and set point(10% to 100% F.S.)

Temperature Effect ..... (-20°C to +65°C)..... ± 1.0%  
E Output ..... (-20°C to +40°C)..... ± 1.0%

Weight ..... 0.25 Lb.  
600Vac Models..... 0.9 Lb.

### CONNECTION DIAGRAMS

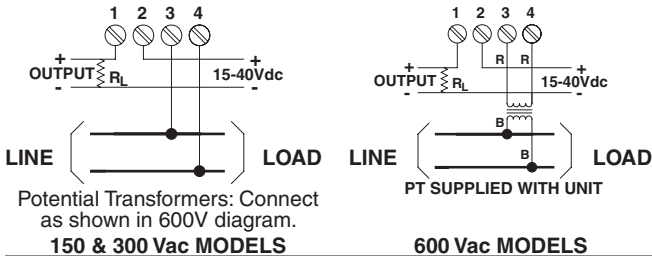
#### SELF-POWERED MODEL MVT-\*\*\*A



Potential Transformers: Connect as shown in 600V diagram.  
150 & 300 Vac MODELS

#### 600 Vac MODELS

#### LOOP-POWERED MODEL MVT-\*\*\*E2



Potential Transformers: Connect as shown in 600V diagram.  
150 & 300 Vac MODELS

#### 600 Vac MODELS

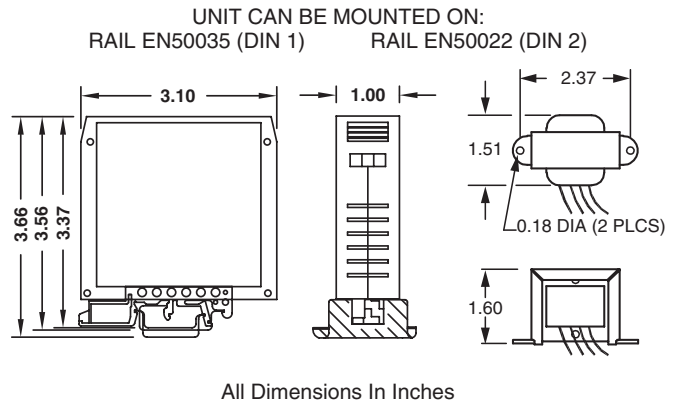
#### MODEL MVT-\*\*\*E



\* AC Instrument power, terminals 5,6  
150 & 300 Vac MODELS

\* AC Instrument power, terminals 5,6  
600 Vac MODELS

### (MVT) DIMENSIONS (PT)



#### OUTPUT SELECTIONS MVT-\*\*\*A

Units are shipped with 0-1mA setting.  
Remove snap button for access to dip switches.

Output	Switch Pos. 1	Switch Pos. 2
0-1mA	OFF	OFF
0-5V	ON	ON
0-10V	ON	OFF

**FLEX-CORE®**

Div. Morlan & Associates, Inc.

4970 Scioto Darby Rd. Hilliard, Ohio 43026

WWW.FLEX-CORE.COM

sales@flex-core.com

PHONE (614) 889-6152

TECH. ASSISTANCE (614) 876-8308

FAX # (614) 876-8538