

CURRENT TRANSFORMERS

RELAYING CURRENT TRANSFORMER MODEL 593

FEATURES

- Relaying Applications
- UL Recognized
- Window I.D. - 8.06" x 22.06"
- Cast Resin Construction

600V CLASS

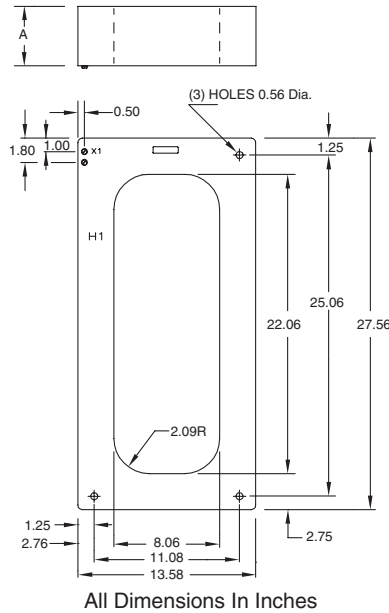


SPECIFICATIONS

Frequency 50-400Hz
 Insulation class 0.6kV, 10kV BIL Full Wave
 Terminals Brass Screws No. 10-32 with
 one flat washer and lock washer.
 Weight Approximately 150 Lbs.
 Rating Factor 2.0 @ 30°C, 2.0 @ 55°C Amb.
 Manufactured to meet the requirements of ANSI/IEEE C57.13

APPLICATION AND ORDERING DATA			
CATALOG NUMBER	CURRENT RATIO	RELAY CLASS	DEPTH "A"
593-500	50:5	C10	4.5
593-750	75:5	C20	5.5
593-101	100:5	C30	5.5
593-151	150:5	C50	5.5
593-201	200:5	C50	5.5
593-301	300:5	C100	5.5
593-401	400:5	C100	5.5
593-501	500:5	C200	5.5

DIMENSIONS



FLEX-CORE® Div. Morlan & Associates, Inc. 4970 Scioto Darby Rd. Hilliard, Ohio 43026	WWW.FLEX-CORE.COM sales@flex-core.com	PHONE (614) 889-6152 TECH. ASSISTANCE (614) 876-8308 FAX # (614) 876-8538
---	---	--